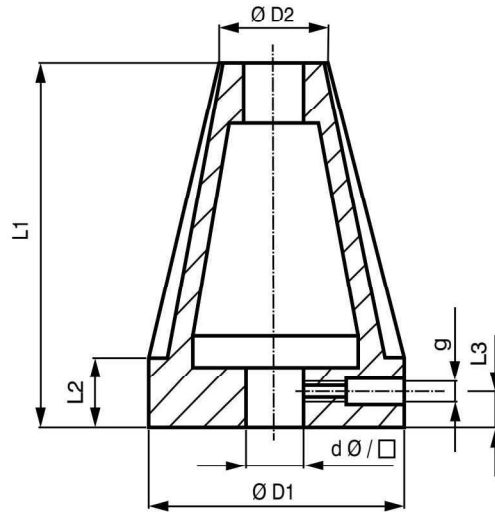


# 9.00 Aluminium Cones model I - VII

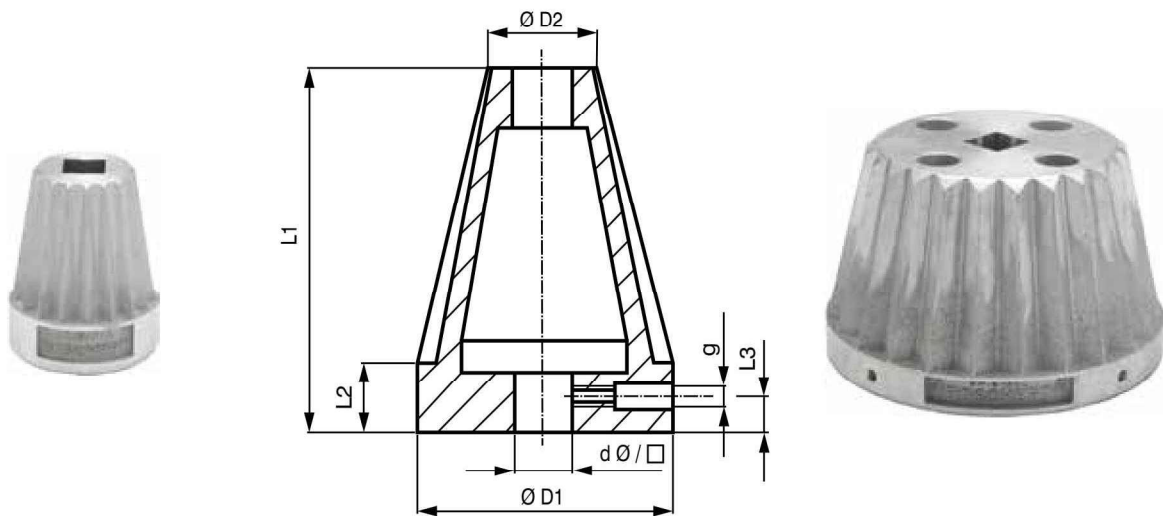


		Model				
		I	II	III	IV	
					□30	□40
<b>Tube diameters Ø</b>		80 - 95	70 - 80	70 - 80	55 - 120	70 - 120
<b>d</b>	Ø	30 - 50	30 - 50	30 - 50	30 - 35	>35 - 50
	□	30, 40	30, 40	30, 40	30	40
<b>D1</b>		110	90	95	130	
<b>D2</b>		75	65	65	50	65
<b>L1</b>		145	95	145	95	83
<b>L2</b>		40	35	35	40	
<b>L3</b>		20	18	18	20	
<b>g</b>		M10				

		Model		
		V	VI	VII
<b>Tube diameters Ø</b>		50 - 70	145 - 160	125 - 150
<b>d</b>	Ø	30 - 40	30 - 80	30 - 60
	□	30	30, 40, 50	30, 40, 50
<b>D1</b>		90	170	160
<b>D2</b>		45	140	120
<b>L1</b>		145	150	145
<b>L2</b>		35	35	35
<b>L3</b>		18	18	18
<b>g</b>		M10		

Special designs on request

# Aluminium cones model VIII - XIII



		Model			
		VIII		IX	X
		□ 30	□ 40		
<b>Tube diameters Ø</b>		60 - 120	68 - 120	120 - 180	225 - 280
<b>d</b>	Ø	30 - 40	>40 - 50	30 - 70	30 - 80
	□	30	40	40, 50	40, 50
<b>D1</b>		130		190	290
<b>D2</b>		55	63	115	220
<b>L1</b>		185	168	185	185
<b>L2</b>		35			
<b>L3</b>		18			
<b>g</b>		M10			

		Model		
		XI	XII	XIII
<b>Tube diameters Ø</b>		275 - 330	75 - 180	165 - 215
<b>d</b>	Ø	40 - 100	30 - 50	30 - 60
	□	40, 50	30, 40	30, 40
<b>D1</b>		340	190	225
<b>D2</b>		270	70	160
<b>L1</b>		185	155	185
<b>L2</b>		35		
<b>L3</b>		18		
<b>g</b>		M10		

Special designs on request