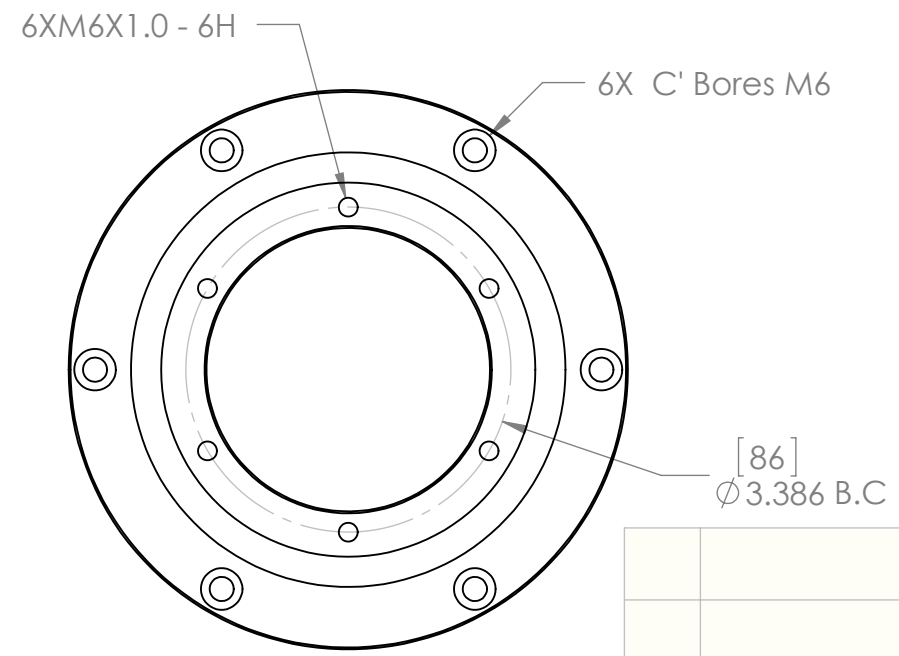
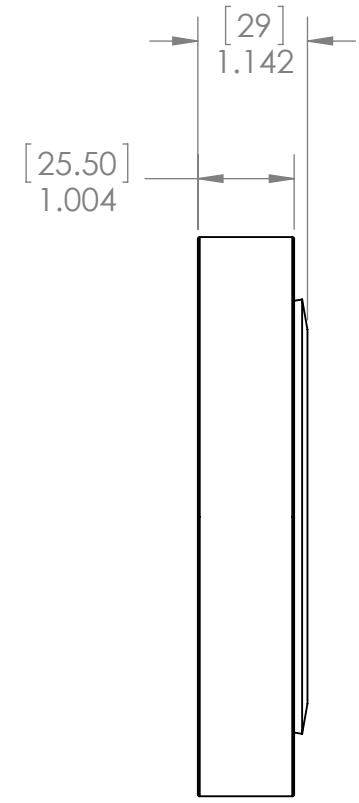
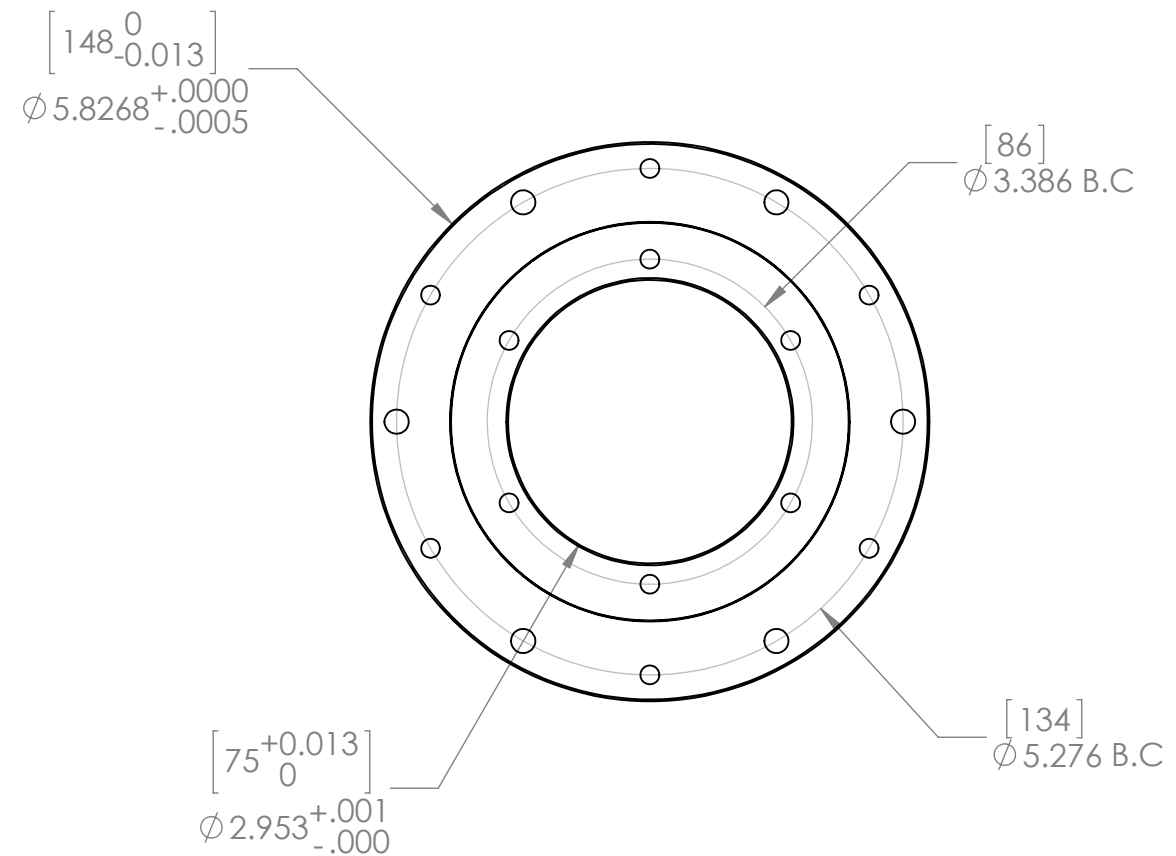
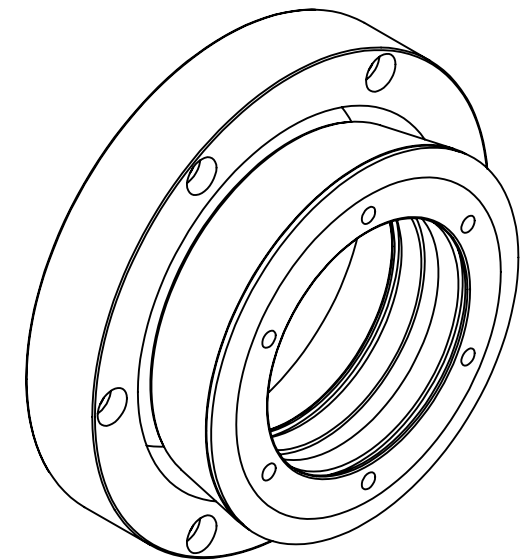


TITLE	Specification
Size	75mm
Part Number	OAV-TPR75MX
Housing Material	7075 Aircraft Quality Aluminum/ Hard Anodized
Input Pressure	28 Mpa to 68 Mpa (40 to 100 psi)
Porous Material	Carbon
Pressure Port	Through Shaft
Radial Load	324lb
Thrust Load	194.4 lb
Stiffness	168 N/ μ m
Pitch Moment Max	6.7 N-m
Bearing Outside Diameter (OD)	148 mm
Bearing Inside Diameter (ID)	75 mm
Bearing Width	29mm
Cage Width	25.5 mm
Bearing Weight	2.02lb (916 gram)
Flow Rate	25.6 SCFH



PROPRIETARY AND CONFIDENTIAL
 THE INFORMATION CONTAINED IN THIS
 DRAWING IS THE SOLE PROPERTY OF
 <INSERT COMPANY NAME HERE>. ANY
 REPRODUCTION IN PART OR AS A WHOLE
 WITHOUT THE WRITTEN PERMISSION OF
 <INSERT COMPANY NAME HERE> IS
 PROHIBITED.

UNLESS OTHERWISE SPECIFIED:		NAME	DATE
DIMENSIONS ARE IN INCHES		DRAWN	
TOLERANCES:		CHECKED	
FRACTIONAL \pm		ENG APPR.	
ANGULAR: MACH \pm BEND \pm		MFG APPR.	
TWO PLACE DECIMAL \pm		Q.A.	
THREE PLACE DECIMAL \pm		COMMENTS:	
INTERPRET GEOMETRIC TOLERANCING PER:			
MATERIAL			
FINISH			
NEXT ASSY	USED ON		
APPLICATION			
DO NOT SCALE DRAWING			

AV
 Air Bearing

TITLE:
 75mm X Spin
 Tapered Roller Air Bearing

SIZE	DWG. NO.	REV
B	OAV-TPR075MX	

SCALE: 1:2 WEIGHT: SHEET 1 OF 1