

3.00 **Boschert** **Sliding-Chuck**



22-30 to 40-50 SKO

Boschert foot mounted chuck without shaft end

22-30 to 40-50 SKW

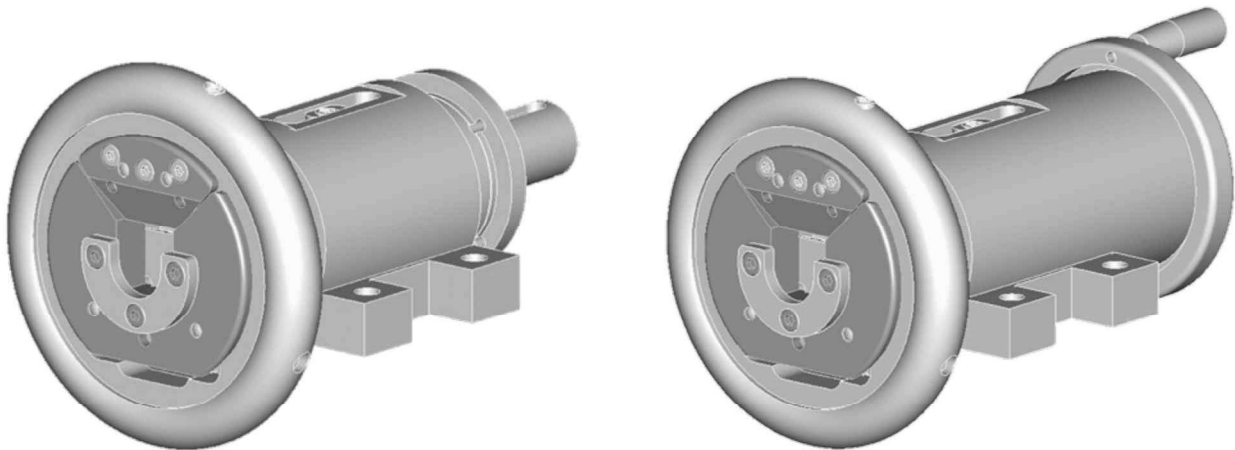
Boschert foot mounted chuck with shaft end

22-30 to 40-50 SKOF

Boschert flange mounted chuck without shaft end

22-30 to 40-50 SKWF

Boschert flange mounted chuck with shaft end



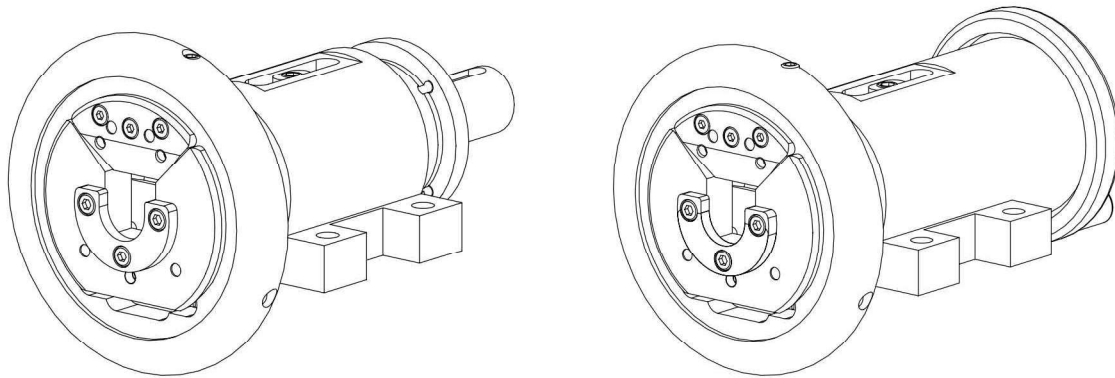
	max. beam weight	max. torque	square bar
22-30	800 kg (1760 lbs)	180 Nm (130 ft/lb)	22 - 30 mm (0.8661" - 1.1811")
30-40	1600 kg (3530 lbs)	350 Nm (250 ft/lb)	30 - 40 mm (1.1811" - 1.5748")
40-50	2800 kg (6170 lbs)	1100 Nm (800 ft/lb)	40 - 50 mm (1.5748" - 1.9685")

		Info
Type:	VT	2.55
Journal shaft type VT:	VT1 / VT2 / VT6 / VT7	3.80
Model:	50 mm adjustment	3.03 - 3.06
	100 mm adjustment	3.03 - 3.06
Shaft end:	Standard	3.03 / 3.05
Handwheel lock:	HRV-S /HRV II (left/right)	3.80
Axial locking:	driver disc	3.81 - 3.84
Options:	axial fixed drive	3.10 - 3.11
	with motorized adjustment	3.20 - 3.22
	for motorized adjustment	3.30 - 3.32
Add. parts:	brakes	6.00
	clutches	7.00

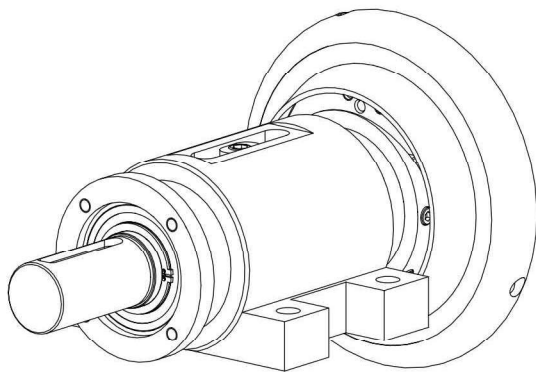
Boschert-Sliding-Chuck foot mounted



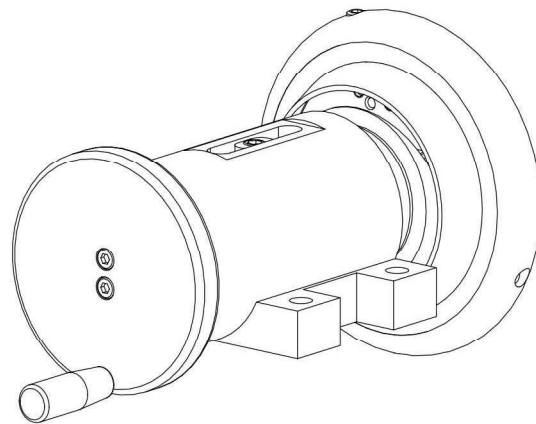
Boschert-Sliding-Chuck type VT



SKW
chuck with shaft end

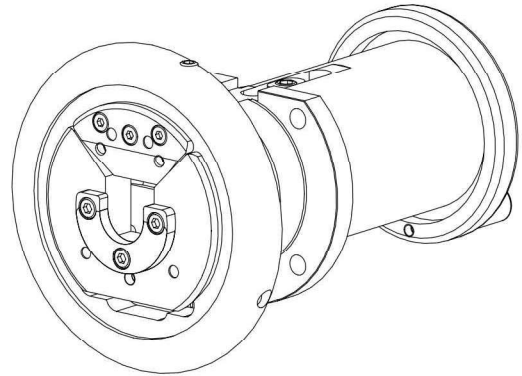
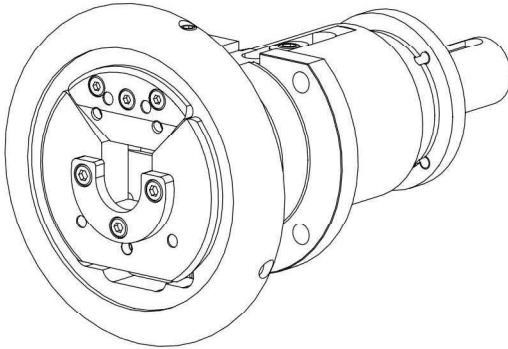


SKO
chuck without shaft end

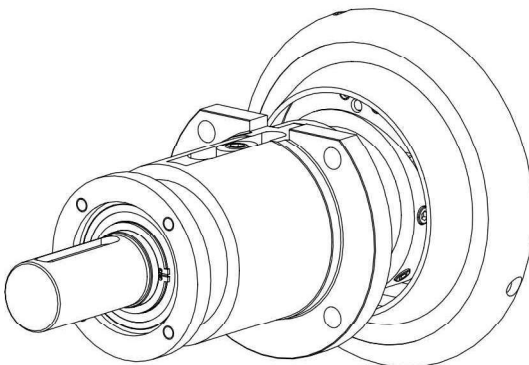


Boschert-Sliding-Chuck flange mounted

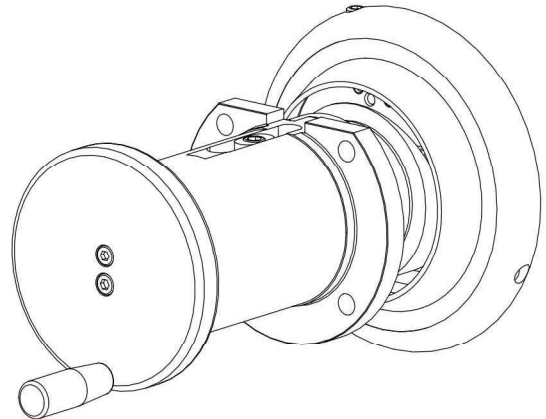
Boschert-Sliding-Chuck type VT



SKWF chuck with shaft end



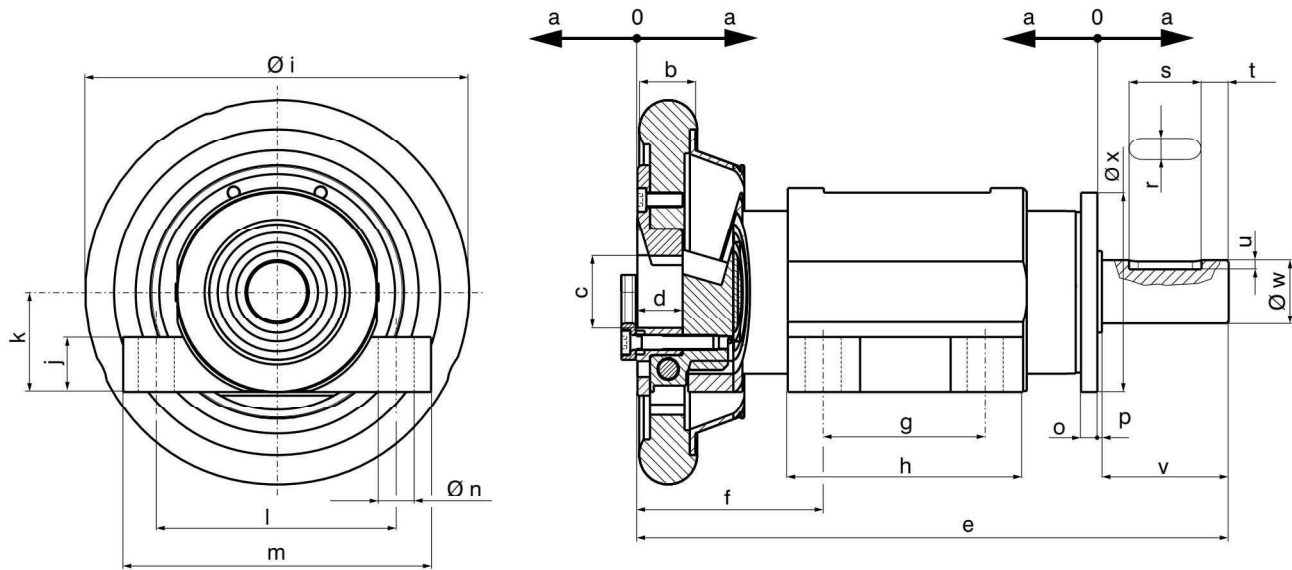
SKOF chuck without shaft end



Boschert-Sliding-Chuck dim. sheet foot mounted chuck



SKW Boschert foot mounted chuck with shaft end



SW = adjustment

Info
3.80

SW	22-30		30-40		40-50	
	50	100	50	100	50	100
a	25	50	25	50	25	50
b	25	25	32	32	40	40
c	22-30	22-30	30-40	30-40	40-50	40-50
d	22	22	25	25	27	27
e	322.5	422.5	338.5	438.5	372.5	472.5
f	100	125	103	128	115	140
g	90	90	90	90	80	80
h	130	130	130	130	130	130
i	160	160	212	212	235	235
j	18	18	30	30	28	28
k	50	50	55	55	75	75
l	110	110	140	140	160	160
m	145	145	168	168	200	200
n	13	13	14	14	14	14
o	12	12	12	12	12	12
p	1.5	1.5	2.5	2.5	2.5	2.5
r P9	8	8	12	12	14	14
s	40	40	70	70	90	90
t	15	15	6	6	10	10
u	4	4	5	5	5.5	5.5
v	70	70	82	82	110	110
w h6	28	28	42	42	50	50
x	87	87	110	110	125	125

	max. beam weight	max. torque	square bar
22-30	800 kg (1760 lbs)	180 Nm (130 ft/lb)	22-30 mm (0.8661" - 1.1811")
30-40	1600 kg (3530 lbs)	350 Nm (250 ft/lb)	30-40 mm (1.1811" - 1.5748")
40-50	2800 kg (6170 lbs)	1100 Nm (800 ft/lb)	40-50 mm (1.5748" - 1.9685")

3.03

Mattenstrasse 1
D-79541 Loerrach-Hauingen

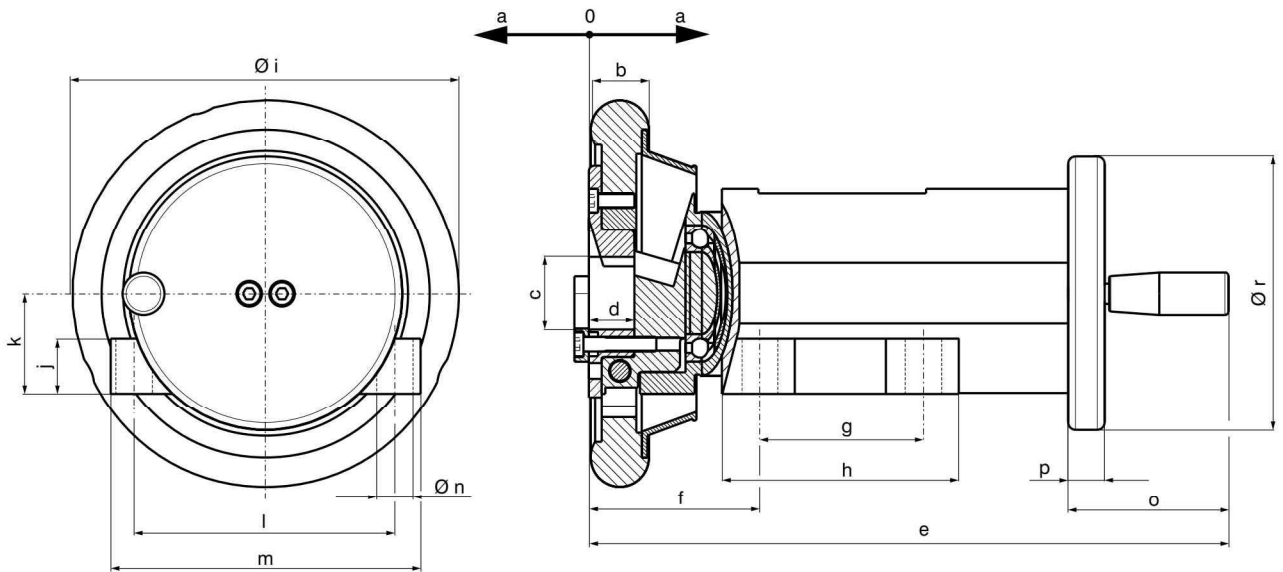
infokl@boschert.de
www.boschert.de

Tel.: +49 (0) 7621 / 9593 0
Fax: +49 (0) 7621 / 5518 4

Boschert-Sliding-Chuck dim. sheet foot mounted chuck



SKO Boschert foot mounted chuck without shaft end



SW = adjustment

Info
3.80

SW	22-30		30-40		40-50	
	50	100	50	100	50	100
a	25	50	25	50	25	50
b	25	25	32	32	40	40
c	22-30	22-30	30-40	30-40	40-50	40-50
d	22	22	25	25	27	27
e	357.5	433	360.5	435.5	381.5	456.5
f	100	125	103	128	115	140
g	90	90	90	90	80	80
h	130	130	130	130	130	130
i	160	160	212	212	235	235
j	18	18	30	30	28	28
k	50	50	55	55	75	75
l	110	110	140	140	160	160
m	145	145	168	168	200	200
n	13	13	14	14	14	14
o	83.5	84	87.5	87.5	102.5	102.5
p	16	16	20	20	20	20
r	128	128	150	150	168	168

	max. beam weight	max. torque	square bar
22-30	800 kg (1760 lbs)	180 Nm (130 ft/lb)	22-30 mm (0.8661" - 1.1811")
30-40	1600 kg (3530 lbs)	350 Nm (250 ft/lb)	30-40 mm (1.1811" - 1.5748")
40-50	2800 kg (6170 lbs)	1100 Nm (800 ft/lb)	40-50 mm (1.5748" - 1.9685")

Mattenstrasse 1
D-79541 Loerrach-Hauingen

infokl@boschert.de
www.boschert.de

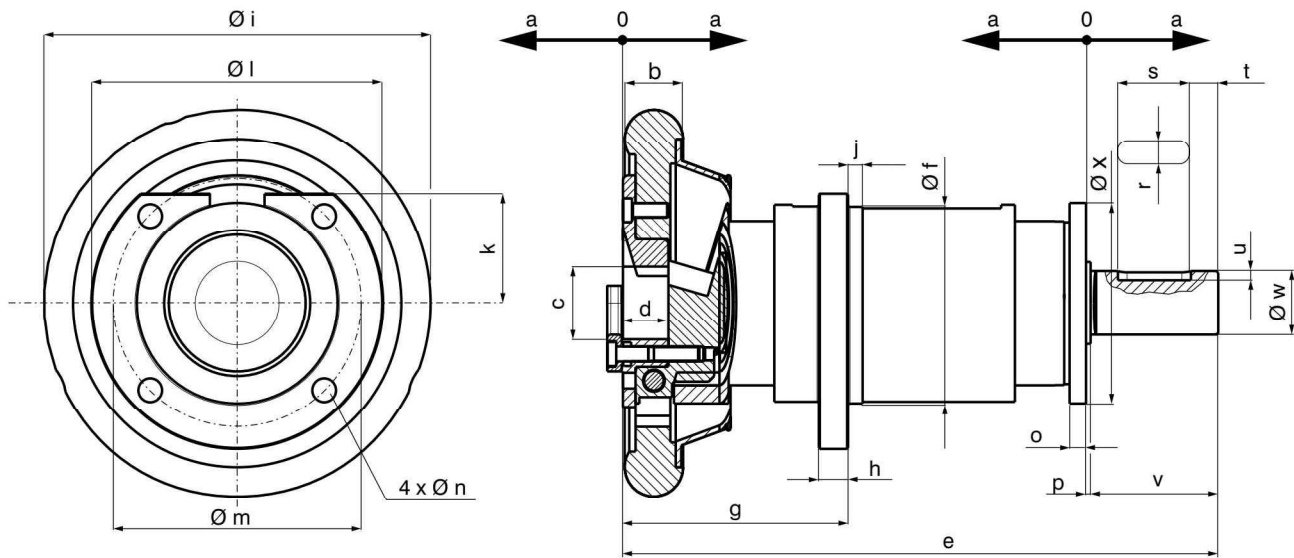
Tel.: +49 (0) 7621 / 9593 0
Fax: +49 (0) 7621 / 5518 4

3.04

Boschert-Sliding-Chuck dim. sheet flange mounted chuck



SKWF Boschert flange mounted chuck with shaft end



SW = adjustment

Info
3.80

SW	22-30		30-40		40-50	
	50	100	50	100	50	100
a	25	50	25	50	25	50
b	25	25	32	32	40	40
c	22-30	22-30	30-40	30-40	40-50	40-50
d	22	22	25	25	27	27
e	322.5	422.5	338.5	438.5	372.5	472.5
f f7	100	100	110	110	140	140
g	116	141	123.5	148.5	136.5	161.5
h	16	16	16	16	22	22
i	160	160	212	212	235	235
j	4	4	8	8	8	8
k	55	55	60	60	77	77
l	145	145	160	160	210	210
m	120	120	135	135	170	170
n	11	11	13	13	18	18
o	12	12	12	12	12	12
p	1.5	1.5	2.5	2.5	2.5	2.5
r P9	8	8	12	12	14	14
s	40	40	70	70	90	90
t	15	15	6	6	10	10
u	4	4	5	5	5.5	5.5
v	70	70	82	82	110	110
w h6	28	28	42	42	50	50
x	87	87	110	110	125	125

	max. beam weight	max. torque	square bar
22-30	800 kg (1760 lbs)	180 Nm (130 ft/lb)	22-30 mm (0.8661" - 1.1811")
30-40	1600 kg (3530 lbs)	350 Nm (250 ft/lb)	30-40 mm (1.1811" - 1.5748")
40-50	2800 kg (6170 lbs)	1100 Nm (800 ft/lb)	40-50 mm (1.5748" - 1.9685")

3.05

Mattenstrasse 1
D-79541 Loerrach-Hauingen

infokl@boschert.de
www.boschert.de

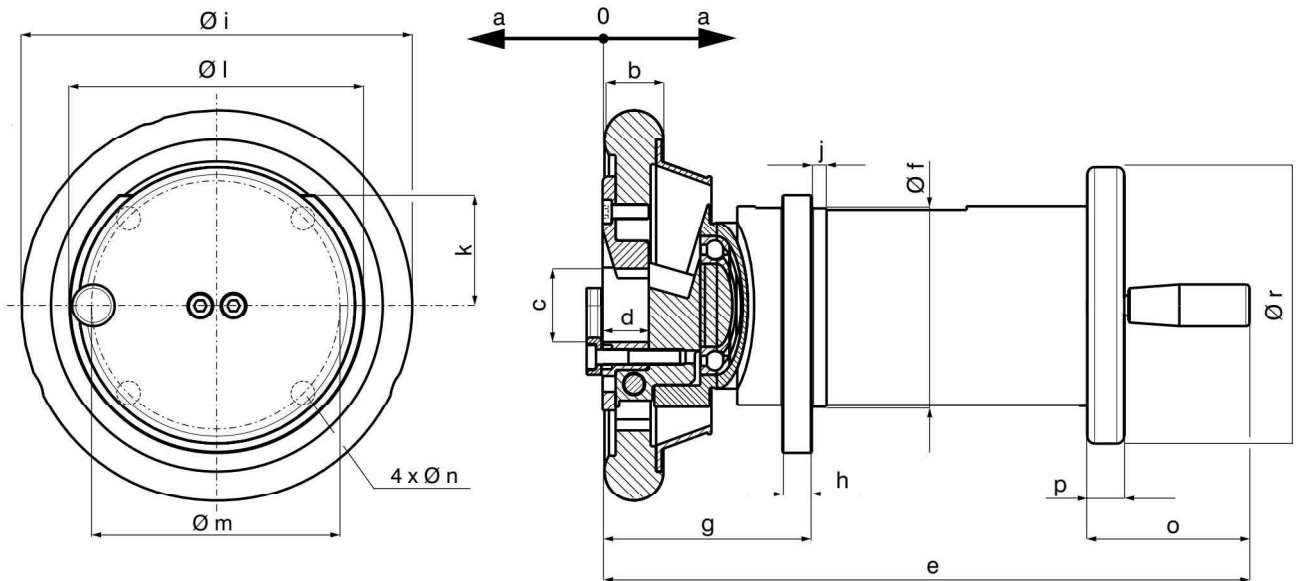
Tel.: +49 (0) 7621 / 9593 0
Fax: +49 (0) 7621 / 5518 4

Changes reserved (d)

Boschert-Sliding-Chuck dim. sheet flange mounted chuck



SKOF Boschert flange mounted chuck without shaft end



SW = adjustment

Info
3.80

SW	22-30		30-40		40-50	
	50	100	50	100	50	100
a	25	50	25	50	25	50
b	25	25	32	32	40	40
c	22-30	22-30	30-40	30-40	40-50	40-50
d	22	22	25	25	27	27
e	357.5	433	360.5	435.5	381.5	456.5
f f7	100	100	110	110	140	140
g	116	141	123.5	148.5	136.5	161.5
h	16	16	16	16	22	22
i	160	160	212	212	235	235
j	4	4	8	8	8	8
k	55	55	60	60	77	77
l	145	145	160	160	210	210
m	120	120	135	135	170	170
n	11	11	13	13	18	18
o	83.5	84	87.5	87.5	102.5	102.5
p	16	16	20	20	20	20
r	128	128	150	150	168	168

	max. beam weight	max. torque	square bar
22-30	800 kg (1760 lbs)	180 Nm (130 ft/lb)	22-30 mm (0.8661" - 1.1811")
30-40	1600 kg (3530 lbs)	350 Nm (250 ft/lb)	30-40 mm (1.1811" - 1.5748")
40-50	2800 kg (6170 lbs)	1100 Nm (800 ft/lb)	40-50 mm (1.5748" - 1.9685")

Mattenstrasse 1
D-79541 Loerrach-Hauingen

infokl@boschert.de
www.boschert.de

Tel.: +49 (0) 7621 / 9593 0
Fax: +49 (0) 7621 / 5518 4

3.06