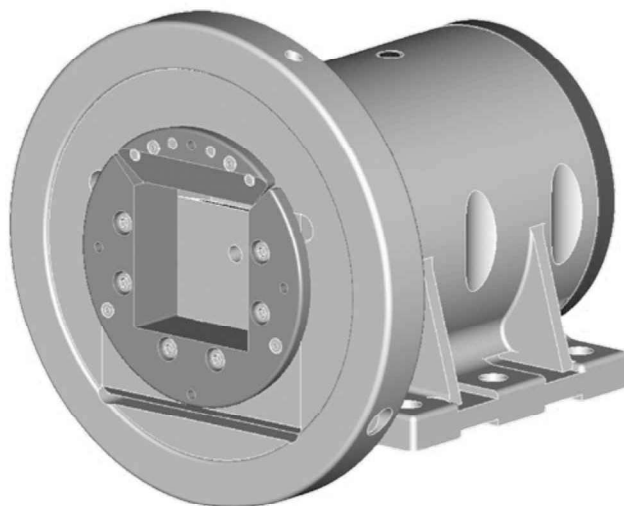


2.70 Boschert-Chuck 80-120

- 80-120 STO** *Boschert* foot mounted chuck without shaft end
80-120 STW *Boschert* foot mounted chuck with shaft end
80-120 FLO *Boschert* flange mounted chuck without shaft end
80-120 FLW *Boschert* flange mounted chuck with shaft end



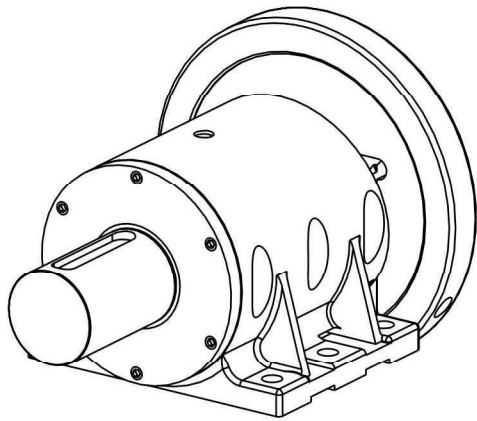
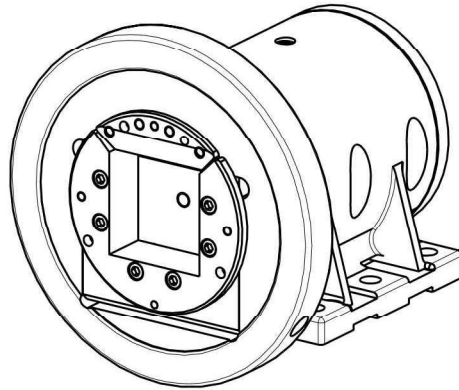
- Square bar:** □ 80 mm - 120 mm (3.1496" - 4.7244")
Standard square bar: □ 120 mm (4.744")
max. beam weight: □ 12000 kg □ (26460 lbs)
max. torque: ↻ 10000 Nm (7230 ft/lb)

		Info
Type:	VT	2.55
Journal shaft type:	VT1 / VT6	2.73
Shaft end:	per customer specification	2.73

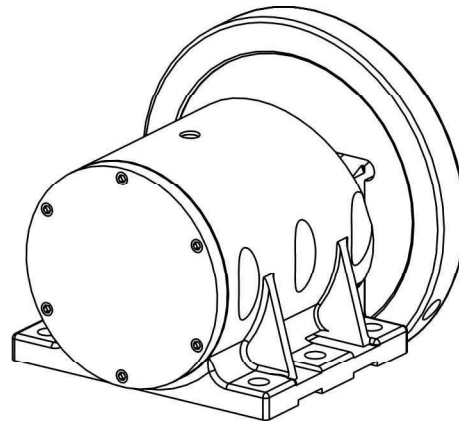
Boschert-Chuck 80-120 foot mounted



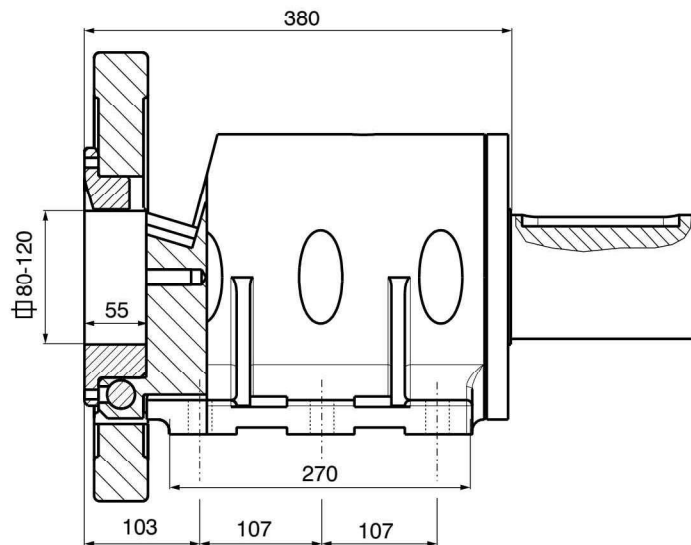
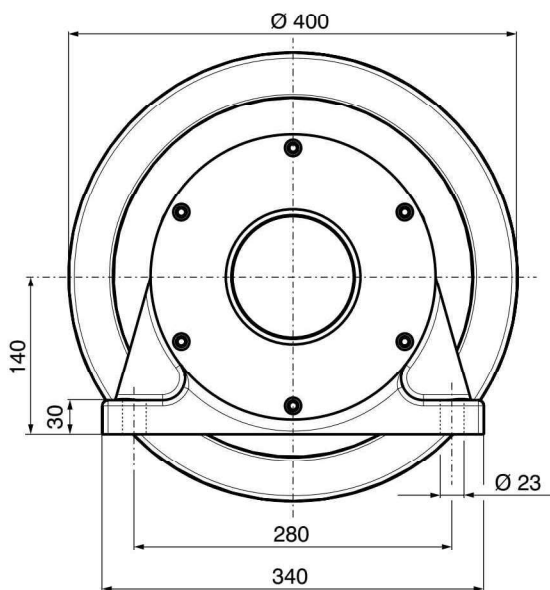
Boschert-Chuck 80-120 type VT



STW 80-120
chuck with shaft end



STO 80-120
chuck without shaft end



Shaft end details page 2.73

2.71

Mattenstrasse 1
D-79541 Loerrach-Hauingen

infokl@boschert.de
www.boschert.de

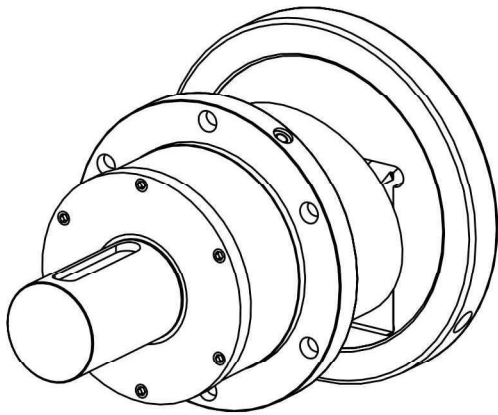
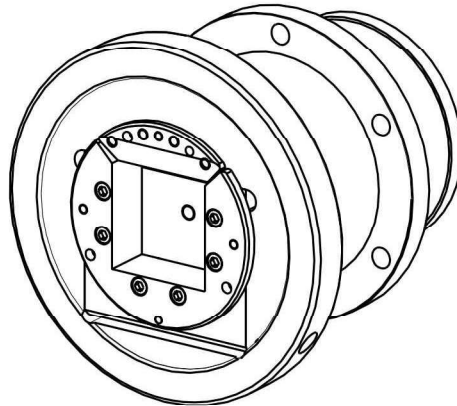
Tel.: +49 (0) 7621 / 9593 0
Fax: +49 (0) 7621 / 5518 4

Changes reserved (a)

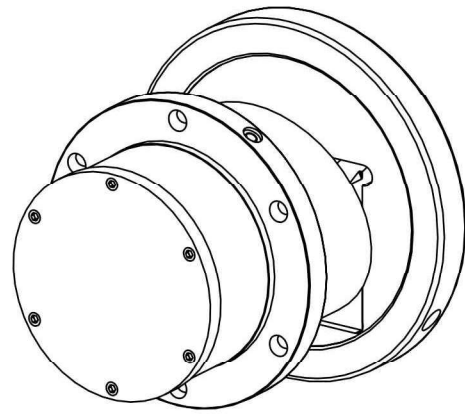
Boschert-Chuck 80-120 flange mounted



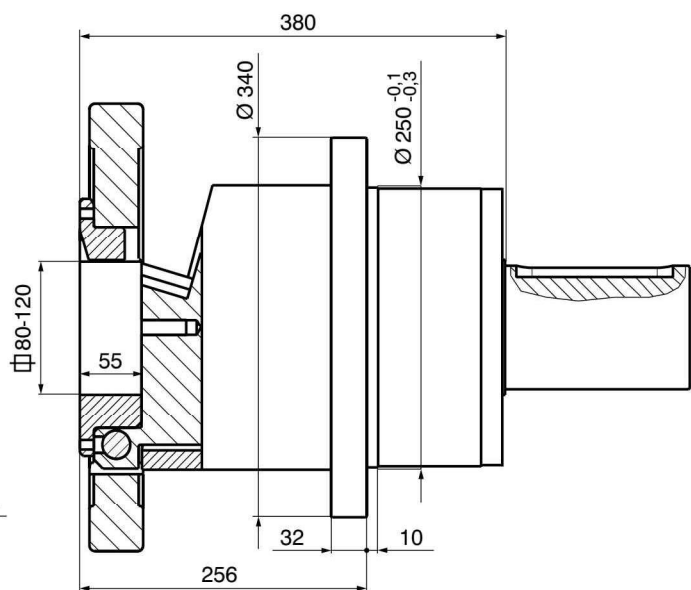
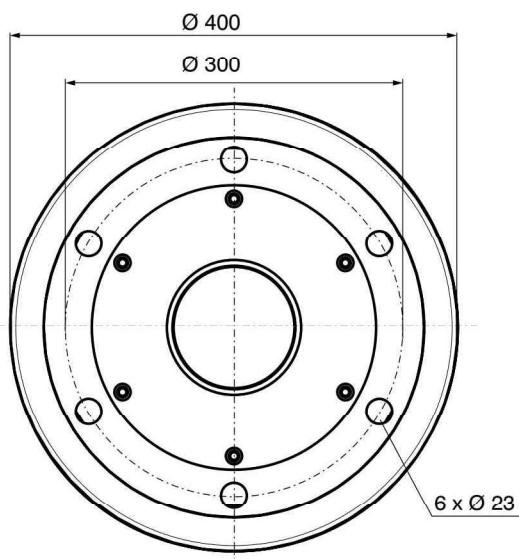
Boschert-Chuck 80-120 type VT



FLW 80-120
chuck with shaft end



FLO 80-120
chuck without shaft end

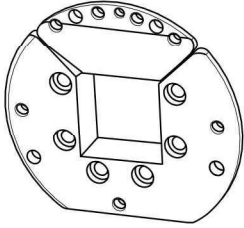


Shaft end details page 2.73

Boschert-Chuck 80-120 options

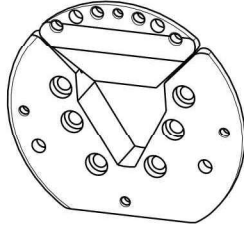


VT-insert



VT 1

Info: 11.10

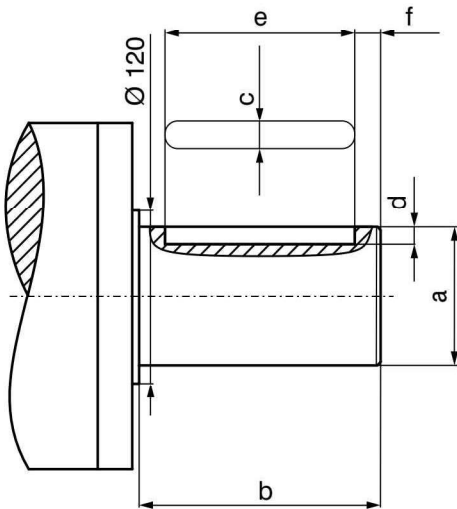


VT 6

Info: 11.11

Info
11.20

Shaft end



Max. shaft-dia.: Ø 120 mm
(special shaft without stop)

Shaft end per customer specification

a =		mm
b =		mm
c =		mm
d =		mm
e =		mm
f =		mm