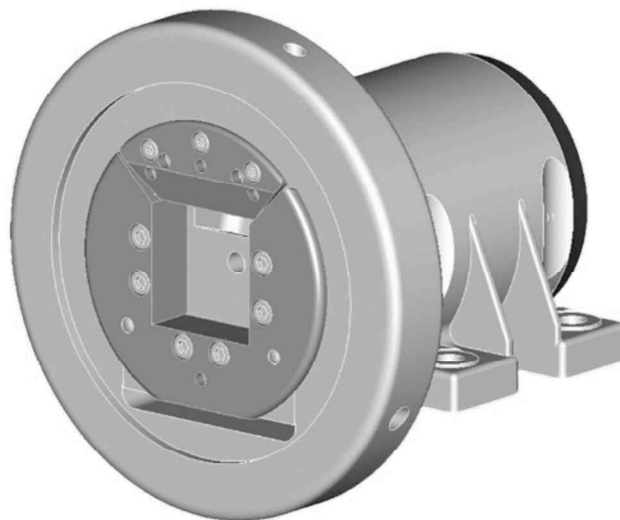


2.50 Boschert-Chuck 50-80



50-80 STO	Boschert foot mounted chuck without shaft end
50-80 STW	Boschert foot mounted chuck with shaft end
50-80 FLO	Boschert flange mounted chuck without shaft end
50-80 FLW	Boschert flange mounted chuck with shaft end



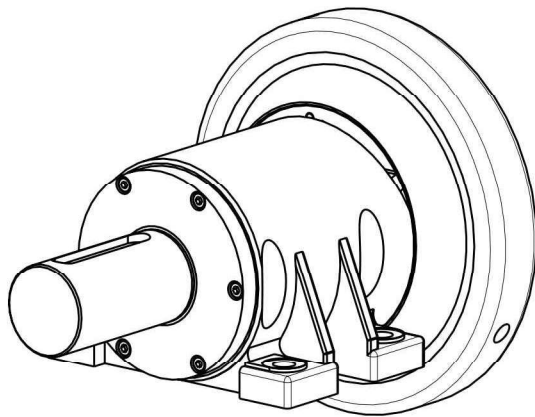
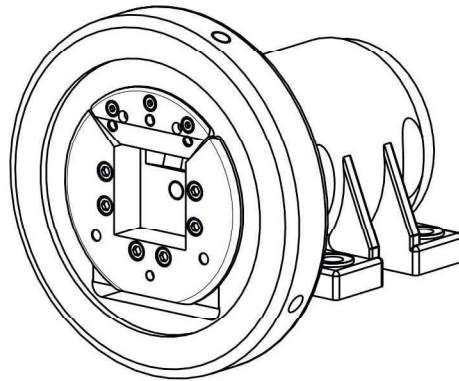
Square bar:	□ 50 mm - 80 mm	(1.9685" - 3.1496")
Standard square bar:	□ 80 mm	(3.1496")
max. square bar VT2:	□ 63,5 mm	(2.5")
Special square bar VT1/VT2:	on request	
max. beam weight:	□ 7000 kg □	(15430 lbs)
max. torque:	↻ 2350 Nm	(1700 ft/lb)

		Info
Typ:	VT	2.55
Journal shaft type VT:	VT1 / VT2 / VT6 / VT7	2.53
Shaft end:	standard	2.53
Handwheel lock:	HRV-S / HRV II (left/right)	2.53
Add. parts:	brakes	6.00
	clutches	7.00

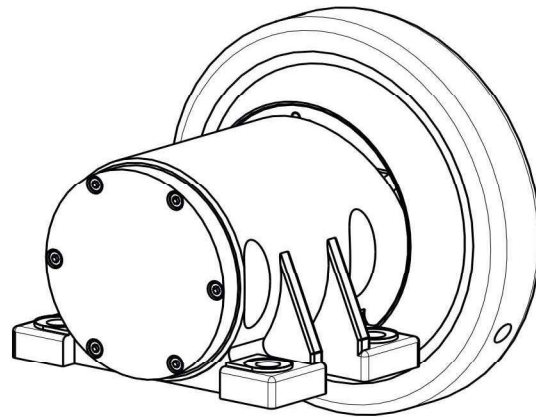
Boschert-Chuck 50-80 foot mounted



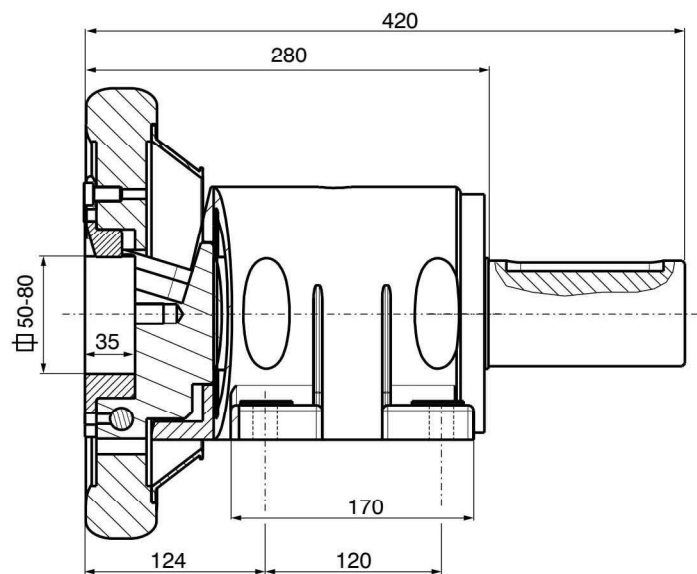
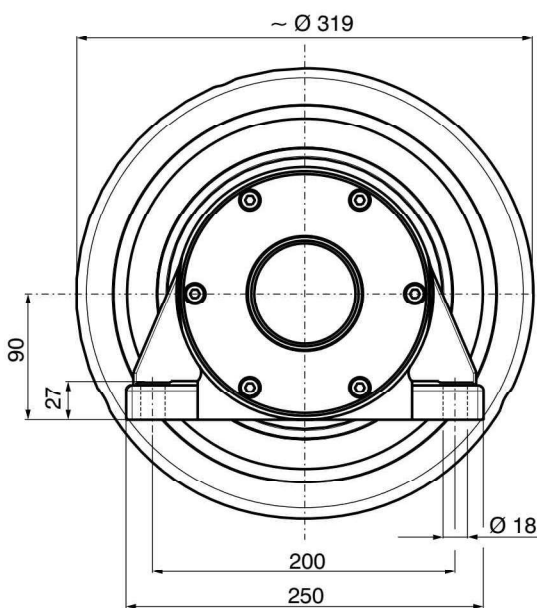
Boschert-Chuck 50-80 type VT



STW 50-80
chuck with shaft end



STO 50-80
chuck without shaft end



Shaft end details page 2.53

2.51

Mattenstrasse 1
D-79541 Loerrach-Hauingen

infokl@boschert.de
www.boschert.de

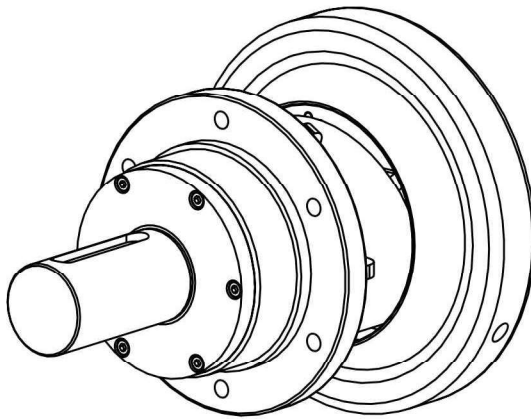
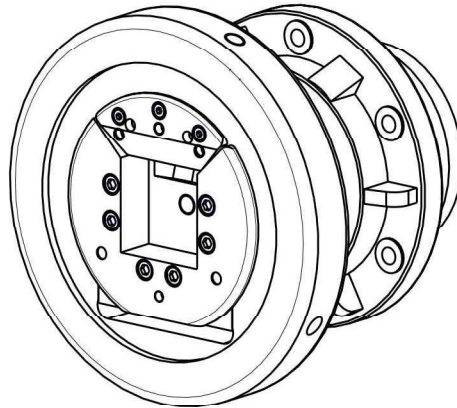
Tel.: +49 (0) 7621 / 9593 0
Fax: +49 (0) 7621 / 5518 4

Changes reserved (b)

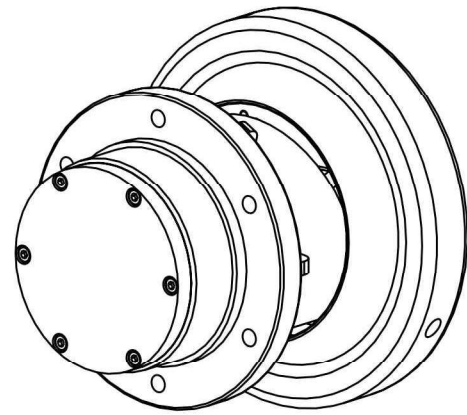
Boschert-Chuck 50-80 flange mounted



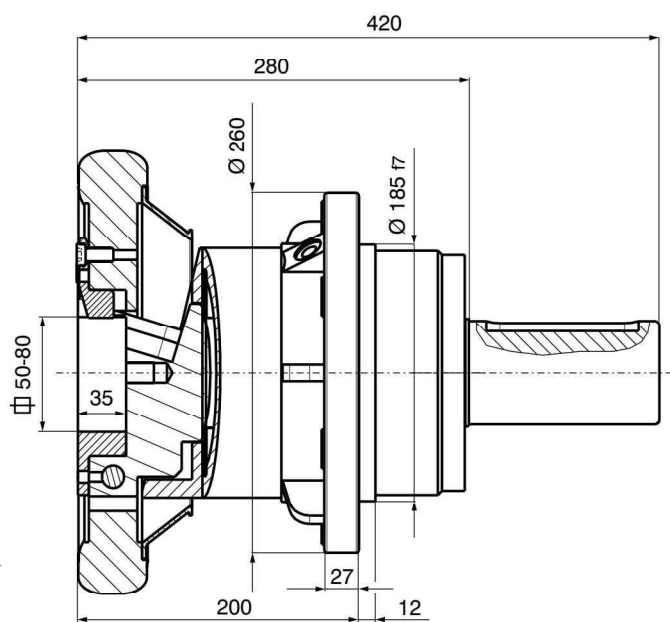
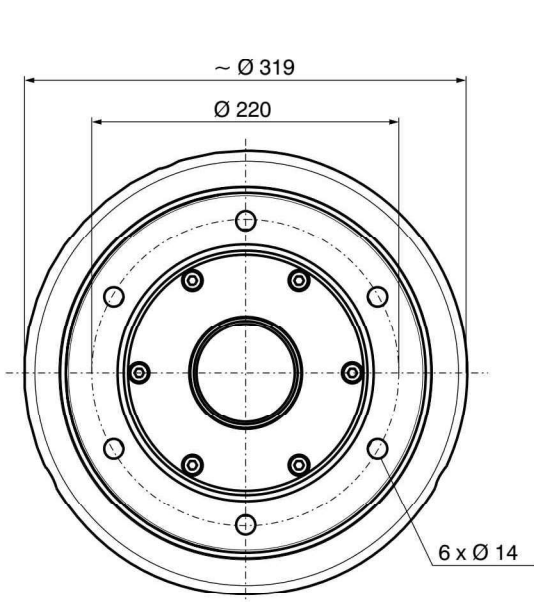
Boschert-Chuck 50-80 type VT



FLW 50-80
chuck with shaft end



FLO 50-80
chuck without shaft end

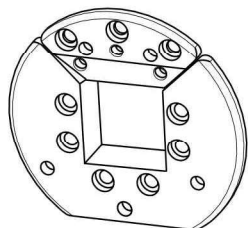


Shaft end details page 2.53

Boschert-Chuck 50-80 options

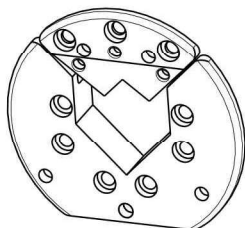


Journal shaft type



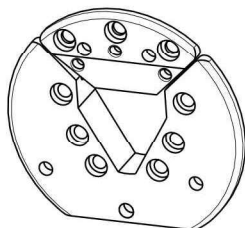
VT 1

Info: 11.10



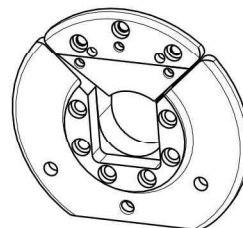
VT 2

Info: 11.10



VT 6

Info: 11.11



VT 7

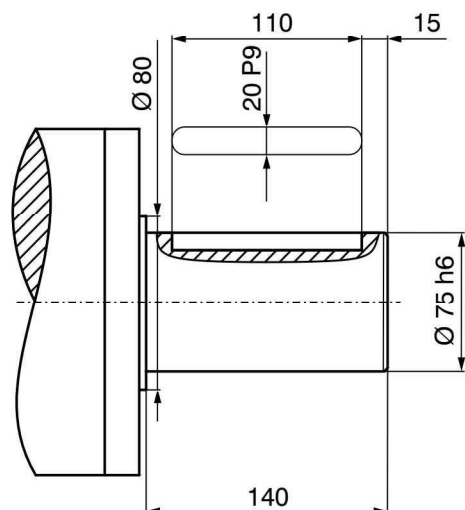
Info: 11.12

**Special square bar
VT1/VT2:**
on request

Note at VT2 and VT7 Chucks:
max. weight = 0.8 x catalogue value
max. torque = 0.7 x catalogue value

Info
11.20

Shaft end

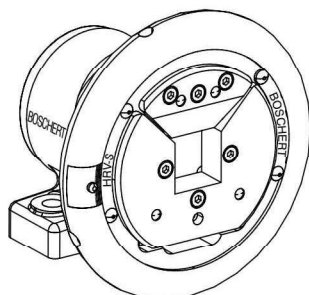


Standard shaft end

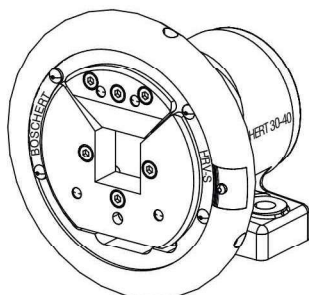
Special shaft ends per customer request

Max. shaft-dia.: Ø 80 mm
(special shaft without stop)

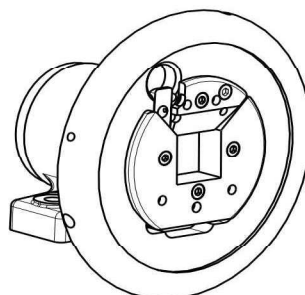
Handwheel lock



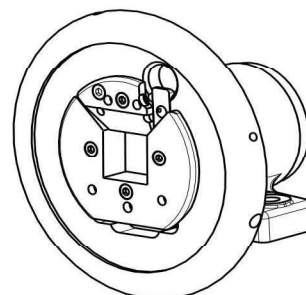
HRV-S left



HRV-S right



HRV II left



HRV II right

**Due to safety reasons we recommend
handwheel locks on applications in turret winders.**

Info
8.30

Info
8.31