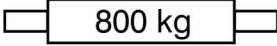



- 22-30 STO** *Boschert* foot mounted chuck without shaft end  
**22-30 STW** *Boschert* foot mounted chuck with shaft end  
**22-30 FLO** *Boschert* flange mounted chuck without shaft end  
**22-30 FLW** *Boschert* flange mounted chuck with shaft end



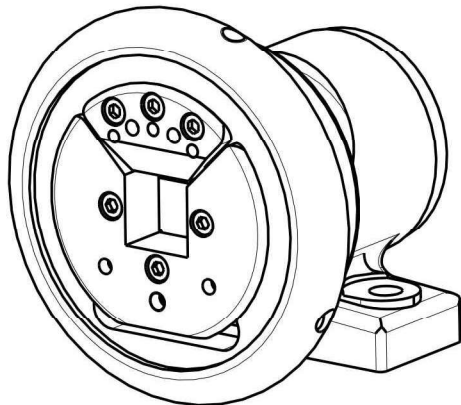
- Square bar:** □ 22 mm - 30 mm (0.8661" - 1.1811")  
**Standard square bar:** □ 30 mm (1.1811")  
**Special square bar VT1/VT2:** on request  
**max. beam weight:**  800 kg (1760 lbs)  
**max. torque:**  180 Nm (132.8 ft/lb)  
**max. rpm:** 1350 min<sup>-1</sup>

		Info
<b>Type:</b>	VT	2.55
	C	2.54
<b>Journal shaft type VT:</b>	VT1 / VT2 / VT6 / VT7	2.23
<b>Shaft end:</b>	standard	2.23
<b>Handwheel lock:</b>	HRV-S (left/right)	2.23
<b>Special models:</b>	90° mounting	8.01
<b>Add. parts:</b>	brakes	6.00
	clutches	7.00

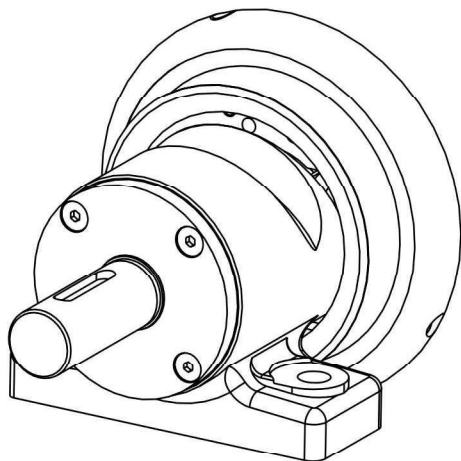
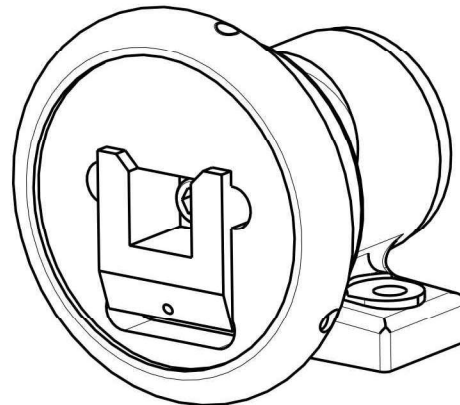
# Boschert-Chuck 22-30 foot mounted



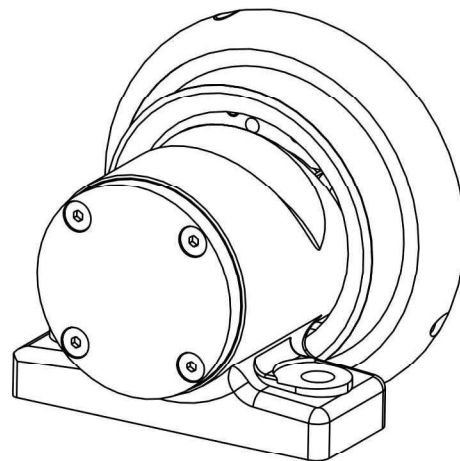
Boschert-Chuck 22-30 type VT



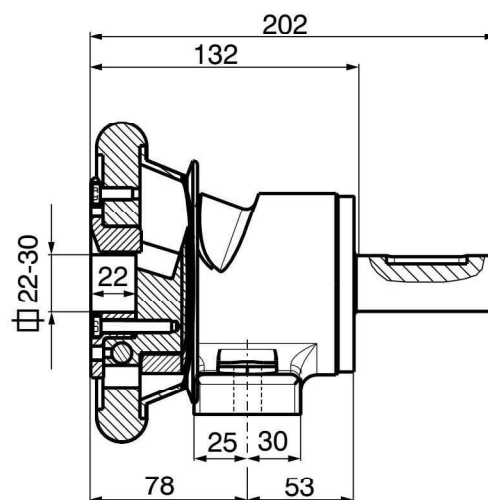
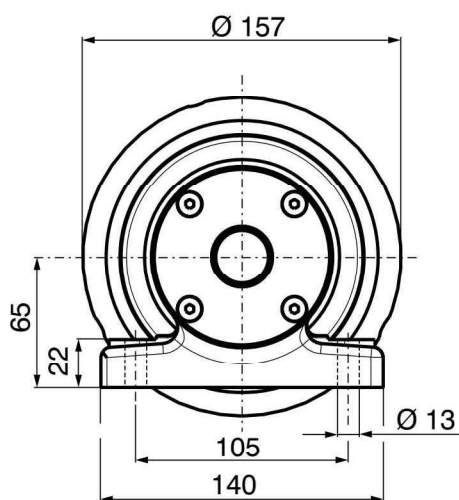
Boschert-Chuck 22-30 type C



STW 22-30  
chuck with shaft end



STO 22-30  
chuck without shaft end

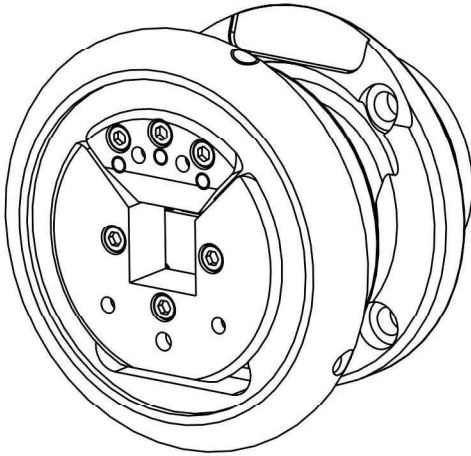


Shaft end details page 2.23

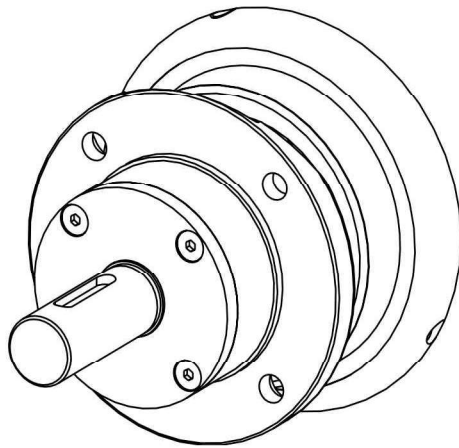
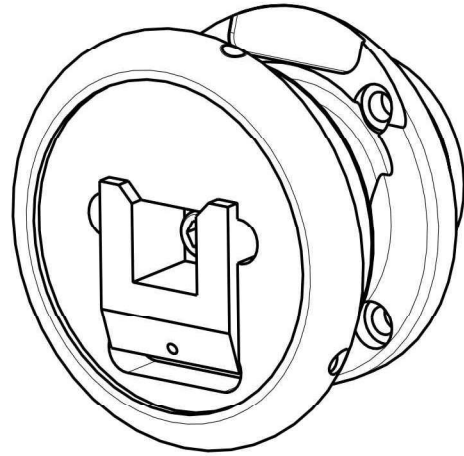
# Boschert-Chuck 22-30 flange mounted



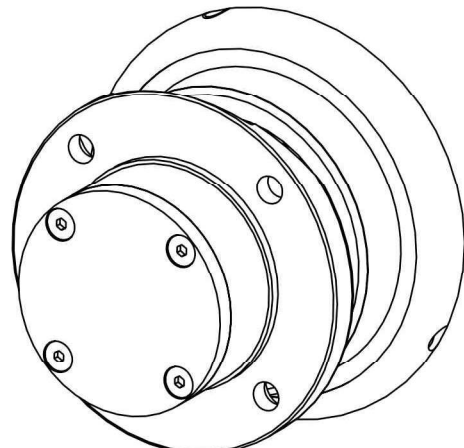
Boschert-Chuck 22-30 type VT



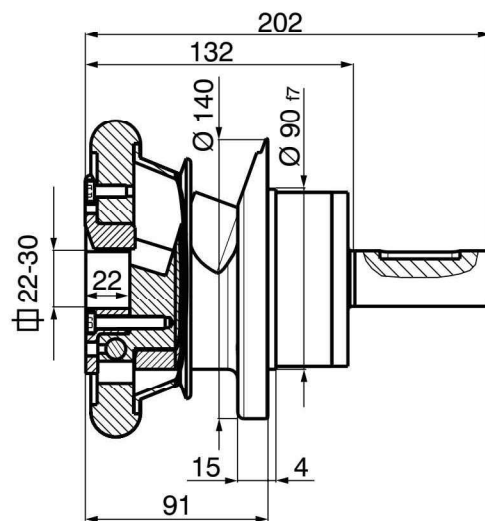
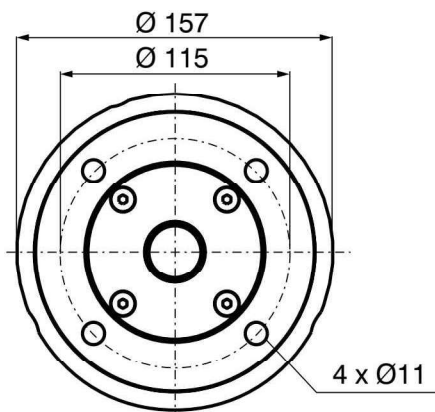
Boschert-Chuck 22-30 type C



FLW 22-30  
chuck with shaft end



FLO 22-30  
chuck without shaft end



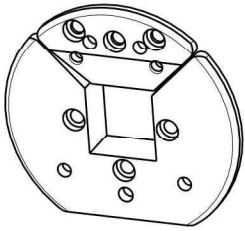
Shaft end details page 2.23



# Boschert-Chuck 22-30 options

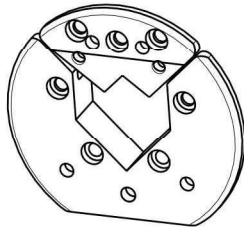


## Journal shaft type



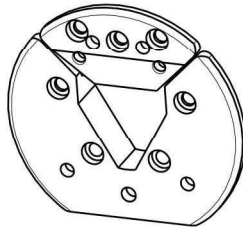
VT 1

Info: 11.10



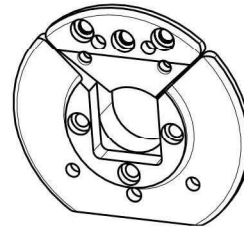
VT 2

Info: 11.10



VT 6

Info: 11.11



VT 7

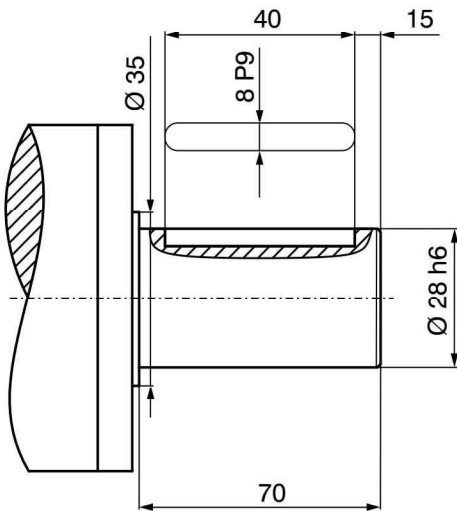
Info: 11.12

**Special square bar  
VT1/VT2:**  
on request

**Note at VT2 and VT7 Chucks:**  
max. weight = 0.8 x catalogue value  
max. torque = 0.7 x catalogue value

Info  
11.20

## Shaft end

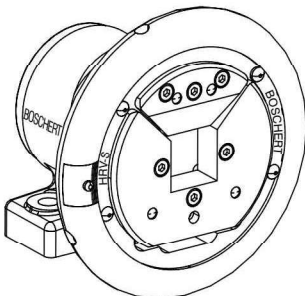


Standard shaft end

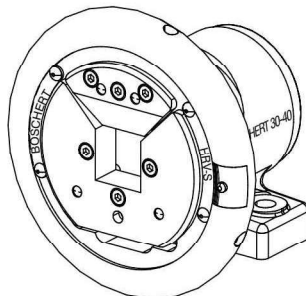
Special shaft ends per customer request

Max. shaft-dia.: Ø 35 mm  
(special shaft without stop)

## Handwheel lock



HRV-S left



HRV-S right

Info  
8.30

Info  
8.31

**Due to safety reasons we recommend  
handwheel locks on applications in turret winders.**