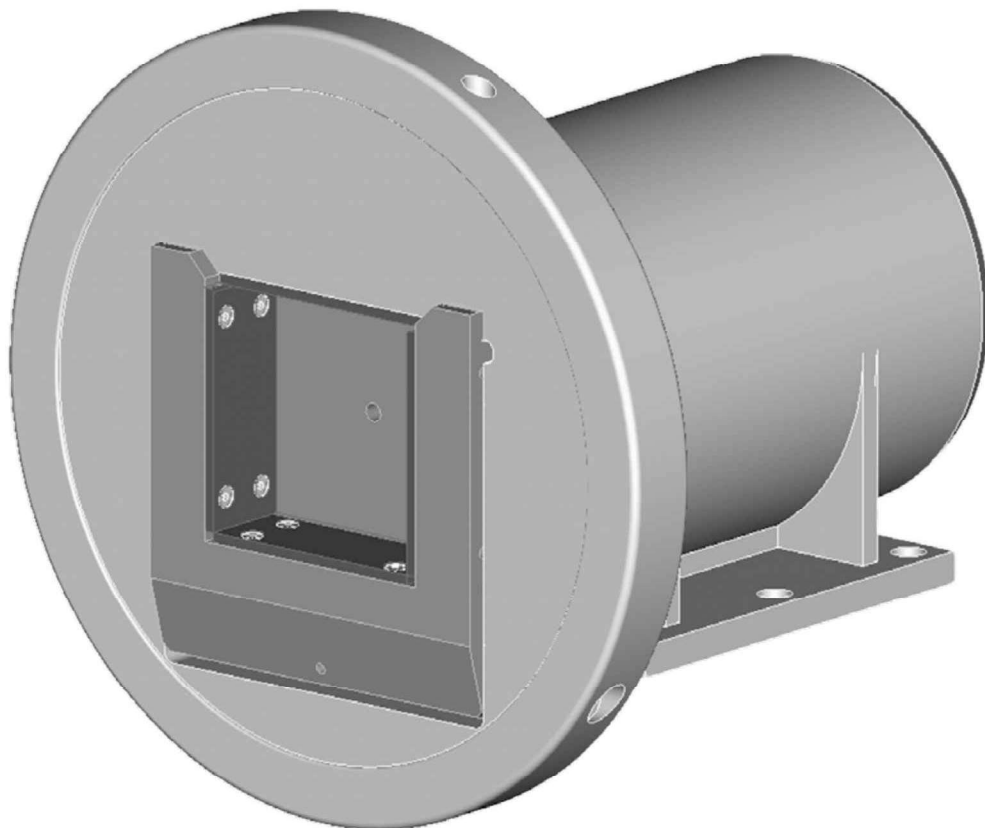


## 2.90 Boschert-Chuck 170-230



- 170-230 STO** *Boschert* foot mounted chuck without shaft end  
**170-230 STW** *Boschert* foot mounted chuck with shaft end  
**170-230 FLO** *Boschert* flange mounted chuck without shaft end  
**170-230 FLW** *Boschert* flange mounted chuck with shaft end



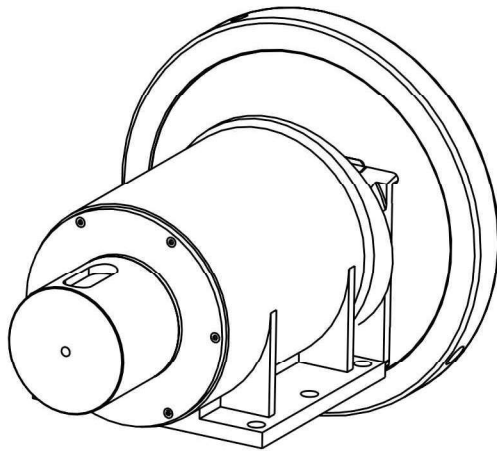
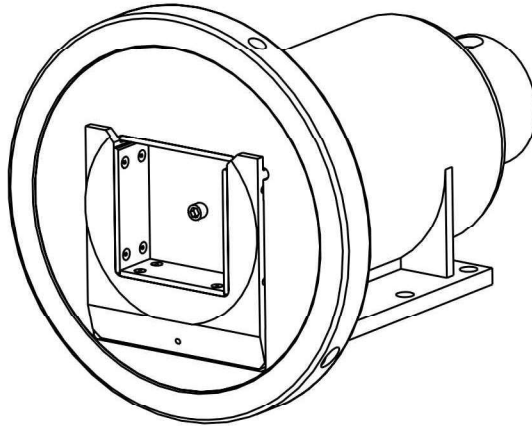
<b>Square bar:</b>	□	170 mm - 230 mm	(6.6929" - 9.0551")
<b>Standard square bar:</b>	□	230 mm	(9.551")
<b>max. beam weight:</b>	□	64000 kg	(141090 lbs)
<b>max. torque:</b>	↻	41000 Nm	(29660 ft/lb)

		Info
<b>Journal shaft type:</b>	square bar	
<b>Shaft end:</b>	per customer specification	2.93

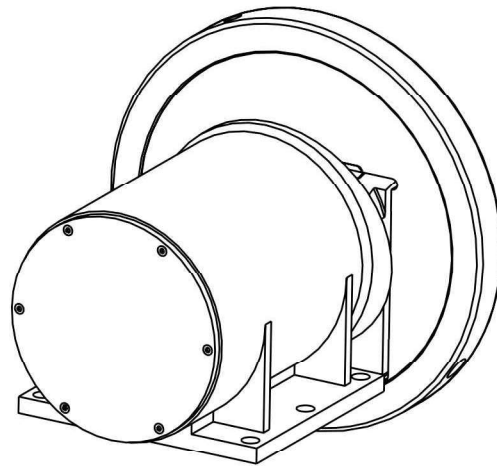
# Boschert-Chuck 170-230 foot mounted



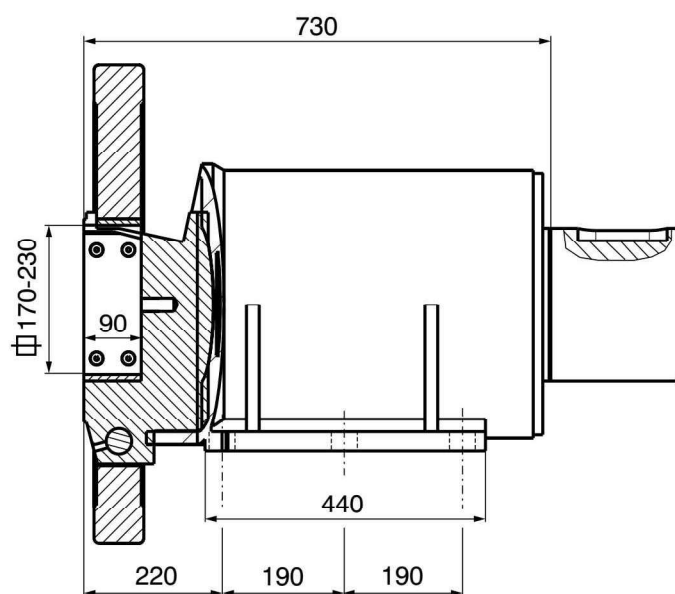
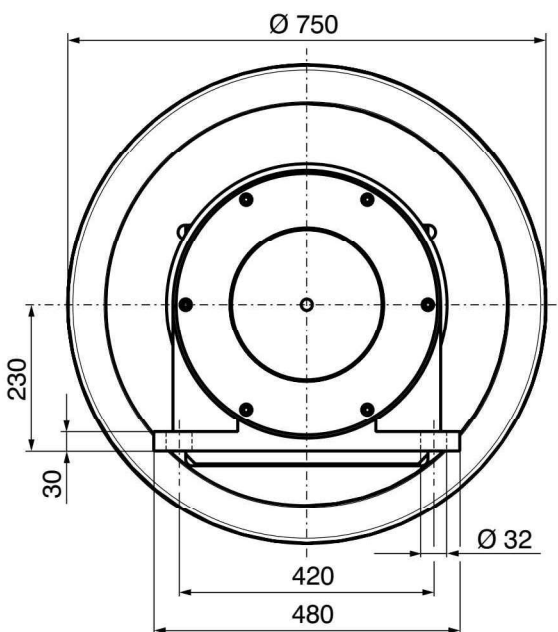
## Boschert-Chuck 170-230 with wear plates



STW 170-230  
chuck with shaft end



STO 170-230  
chuck without shaft end

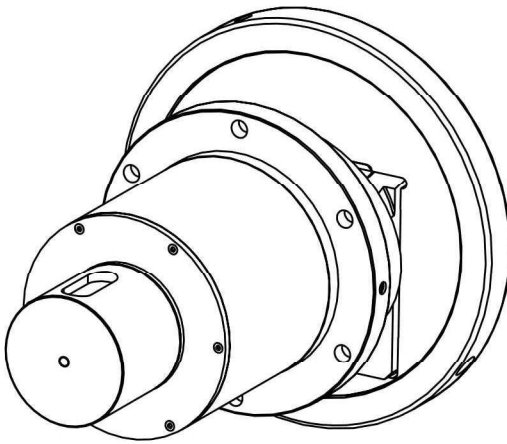
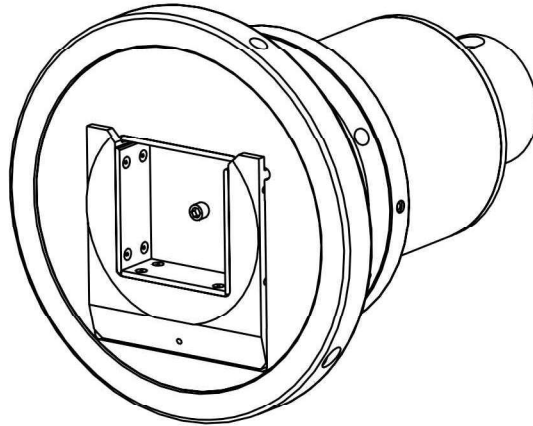


Shaft end details page 2.93

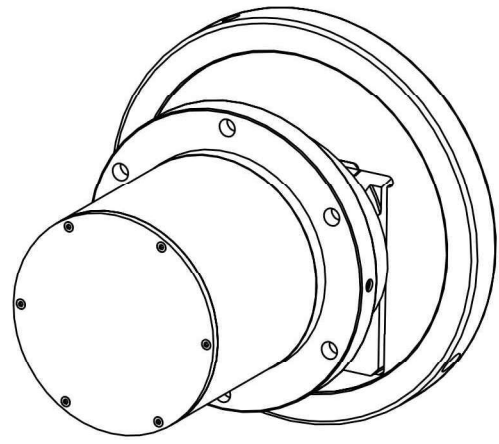
# Boschert-Chuck 170-230 flange mounted



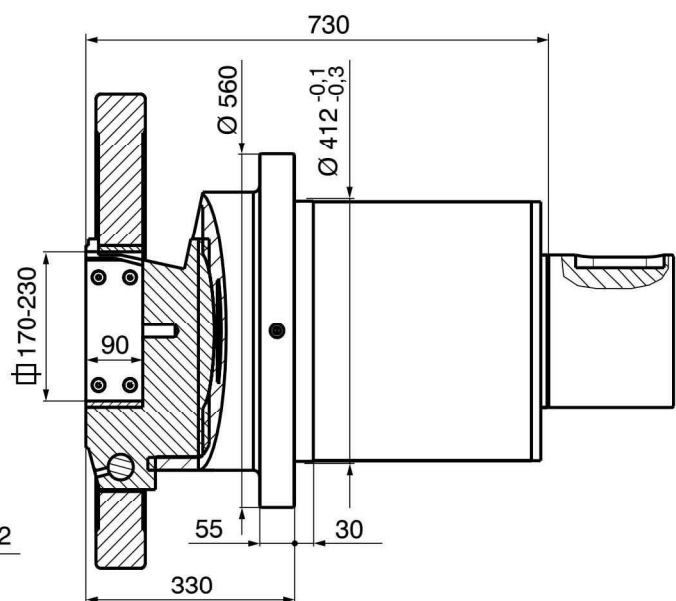
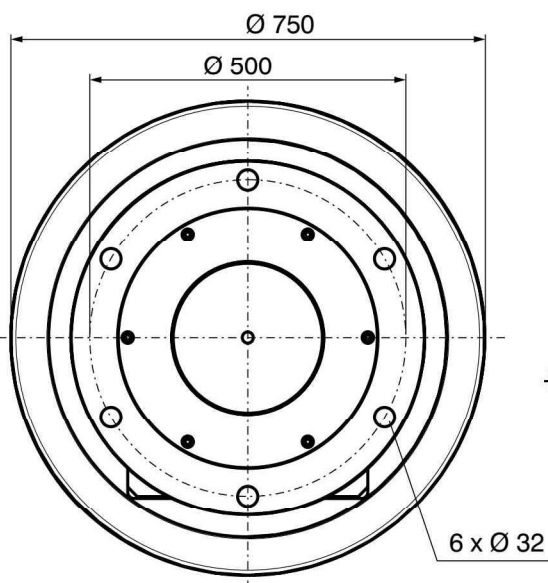
Boschert-Chuck 170-230 with wear plates



FLW 170-230  
chuck with shaft end



FLO 170-230  
chuck without shaft end



Shaft end details page 2.93

Mattenstrasse 1  
D-79541 Loerrach-Hauingen

infokl@boschert.de  
www.boschert.de

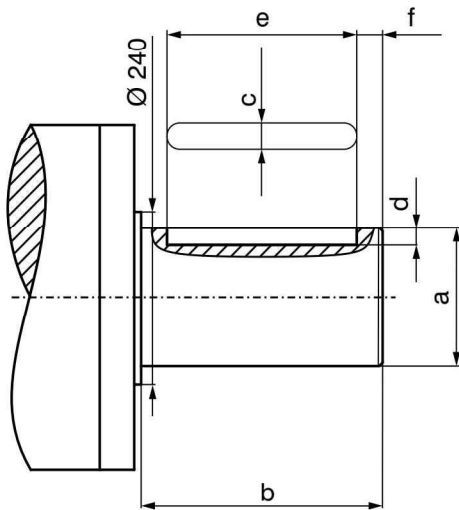
Tel.: +49 (0) 7621 / 9593 0  
Fax: +49 (0) 7621 / 5518 4

**2.92**

# Boschert-Chuck 170-230 options



## Shaft end



Max. shaft-dia.: Ø 240 mm  
(special shaft without stop)

Shaft end per customer specification

a =		mm
b =		mm
c =		mm
d =		mm
e =		mm
f =		mm