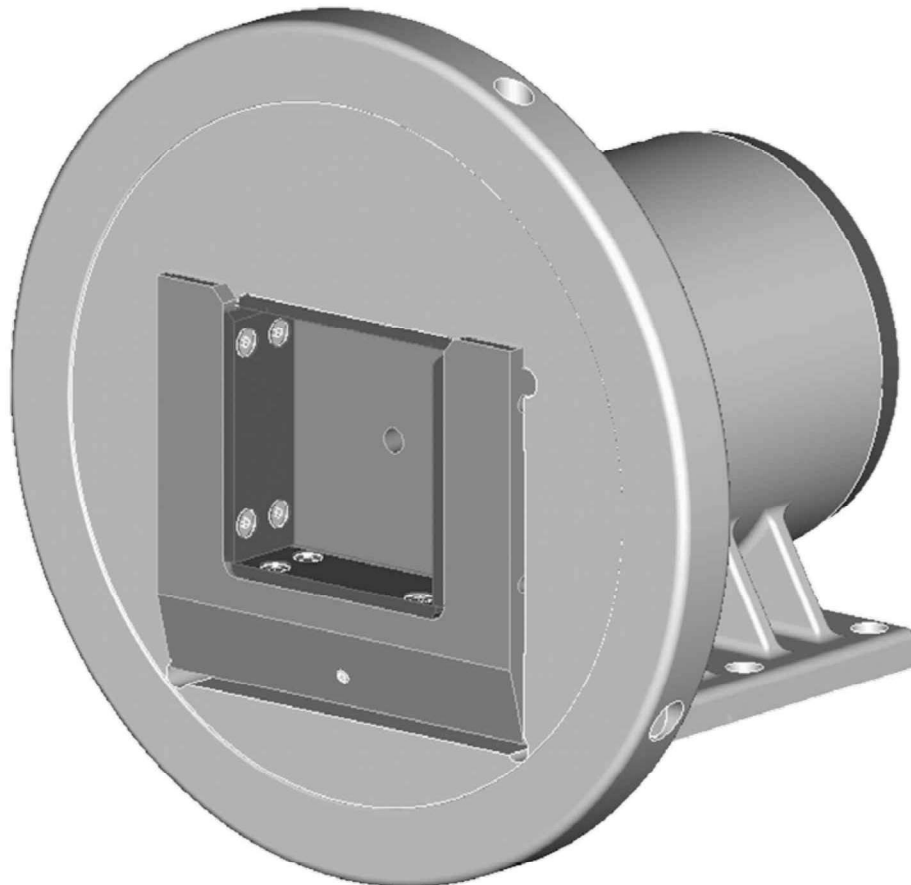


**2.80 Boschert-Chuck
120-180**



- 120-180 STO** *Boschert* foot mounted chuck without shaft end
- 120-180 STW** *Boschert* foot mounted chuck with shaft end
- 120-180 FLO** *Boschert* flange mounted chuck without shaft end
- 120-180 FLW** *Boschert* flange mounted chuck with shaft end



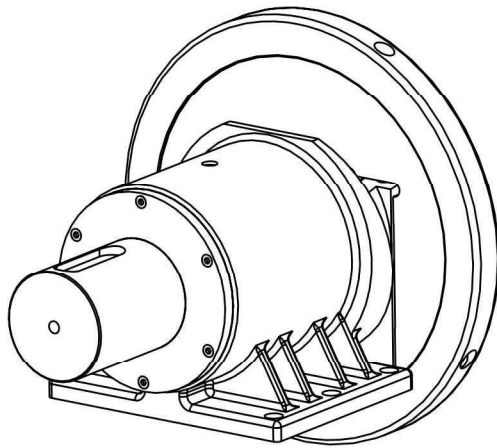
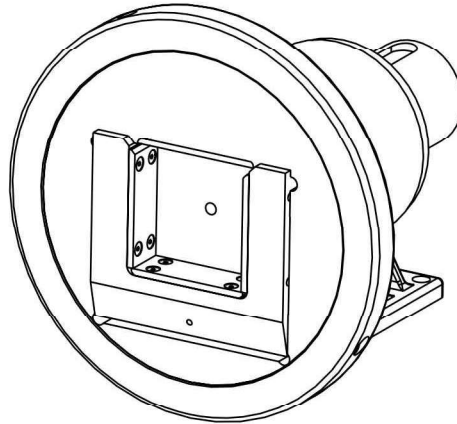
- Square bar:** □ 120 mm - 180 mm (4.7244" - 7.0866")
- Standard square bar:** □ 180 mm (7.0866")
- max. beam weight:** □ 22000 kg □ (48500 lbs)
- max. torque:** ↻ 20000 Nm (14468 ft/lb)

		Info
Journal shaft type:	square bar	
Shaft end:	per customer specification	2.83

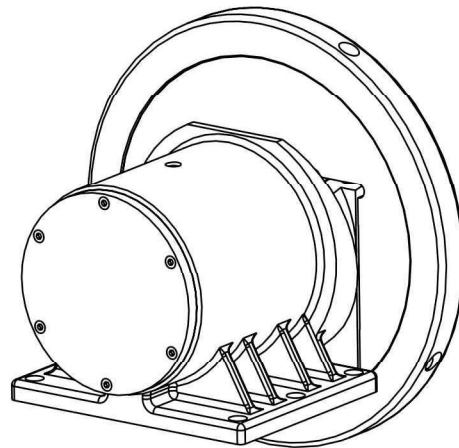
Boschert-Chuck 120-180 foot mounted



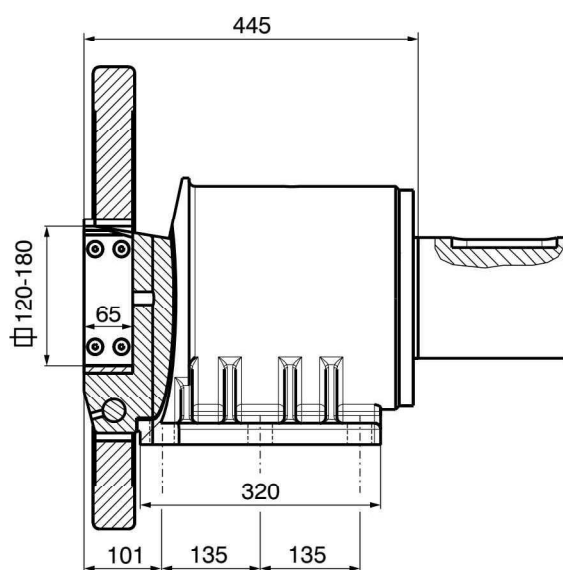
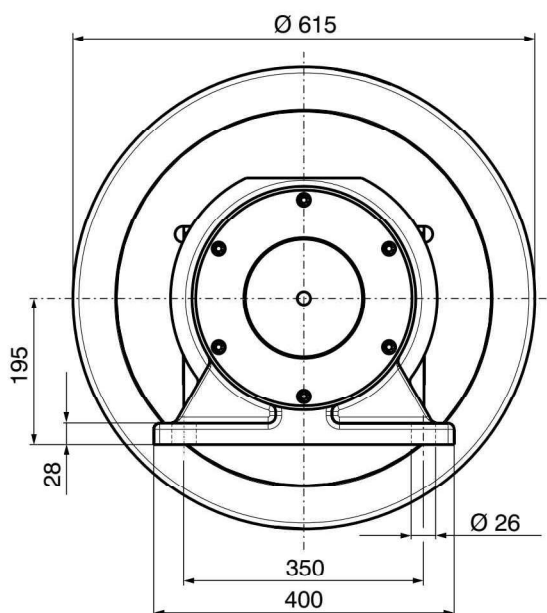
Boschert-Chuck 120-180 with wear plates



STW 120-180
chuck with shaft end



STO 120-180
chuck without shaft end

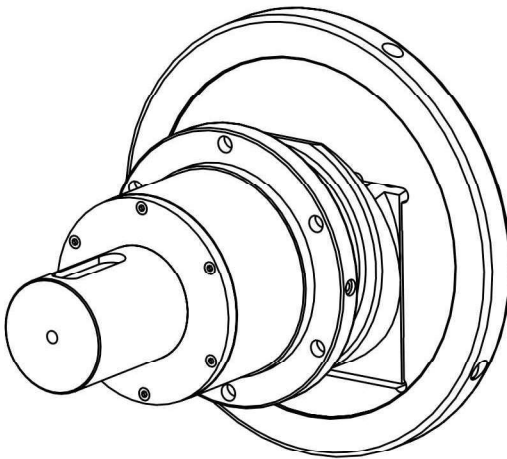
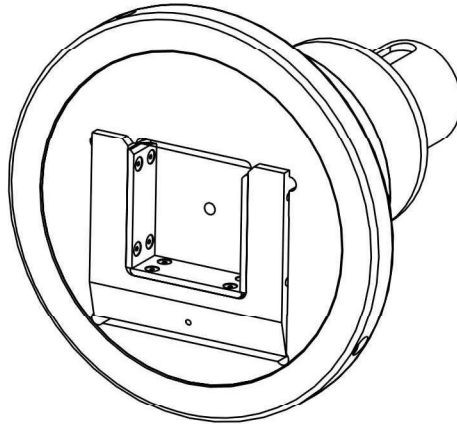


Shaft end details page 2.83

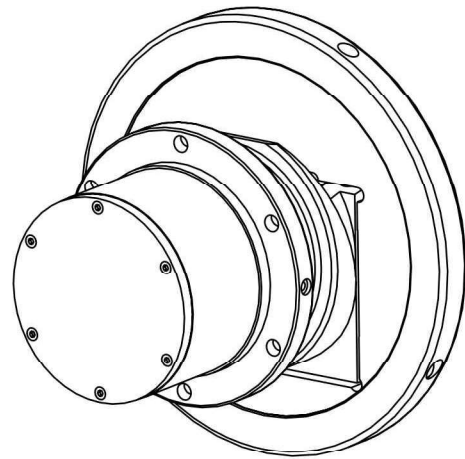
Boschert-Chuck 120-180 flange mounted



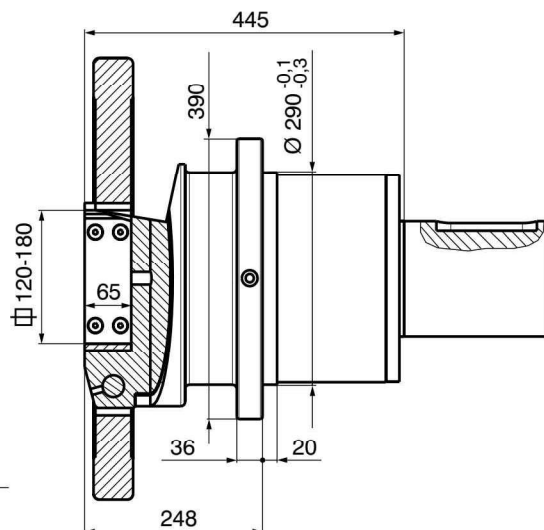
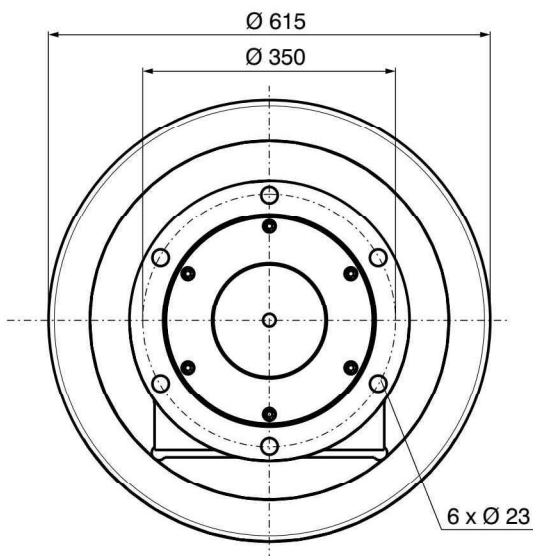
Boschert-Chuck 120-180 with wear plates



FLW 120-180
chuck with shaft end



FLO 120-180
chuck without shaft end

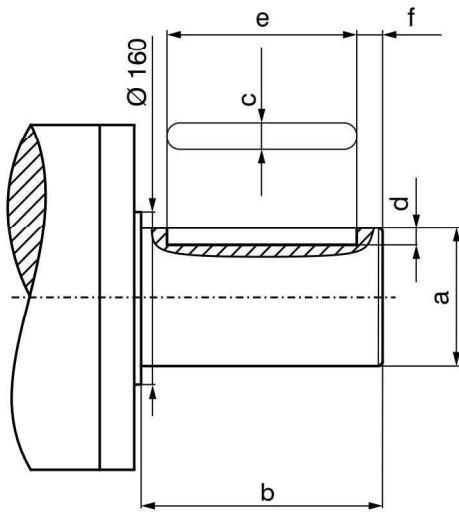


Shaft end details page 2.83

Boschert-Chuck 120-180 options



Shaft end



Max. shaft-dia.: Ø 160 mm
(special shaft without stop)

Shaft end per customer specification

a =		mm
b =		mm
c =		mm
d =		mm
e =		mm
f =		mm