

4.70 Boschert-Chuck P50



- P50 STO** *Boschert* pneumatic chuck, foot mounted without shaft end
P50 STW *Boschert* pneumatic chuck, foot mounted with shaft end
P50 FLO *Boschert* pneumatic chuck, flange mounted without shaft end
P50 FLW *Boschert* pneumatic chuck, flange mounted with shaft end



- Standard Square bar:** □ 50 mm (1.9685")
max. beam weight: □ 2800 kg (6170 lbs)
max. torque: ↻ 1100 Nm (800 ft/lb)

Please note:

Max. beamweight and torque on P50 chucks are reduced when using VT2-inserts with a smaller square bar than □ 50 mm (□ 2" / 50.8 mm).

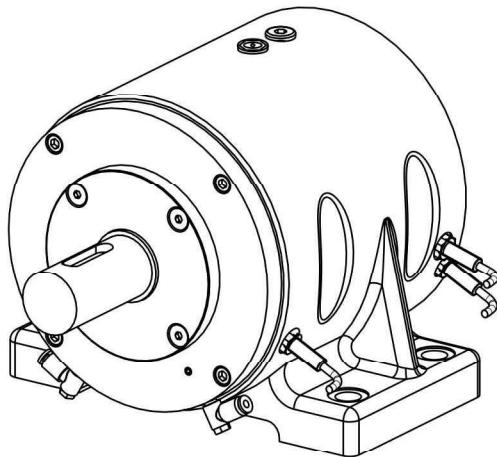
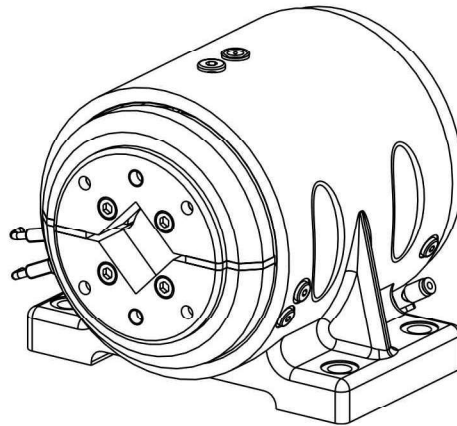
		max. Beam weight	max. torque
□	40 mm (1,5748")	2000 kg (4410 lbs)	700 Nm (516,3 ft/lb)
□	45 mm (1,7717")	2400 kg (5290 lbs)	900 Nm (663,8 ft/lb)

		Info
Type:	VT	4.74
Journal shaft type VT:	VT2 / VT7	4.73
Shaft end:	standard	4.73
Options:	proximity sensor	4.73
Add. parts:	brakes	6.00
	clutches	7.00

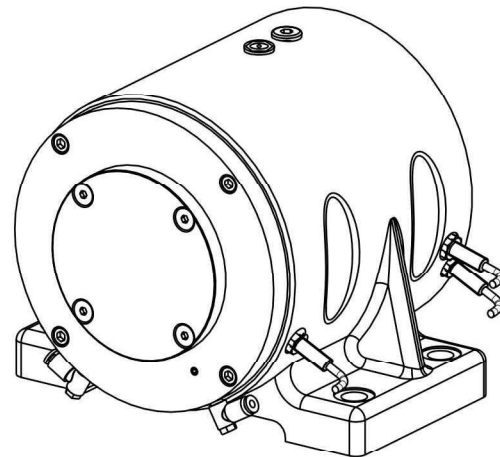
Boschert-Chuck P50 foot mounted



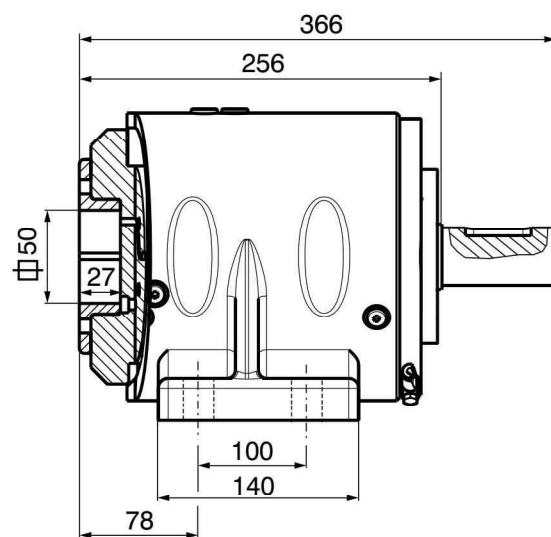
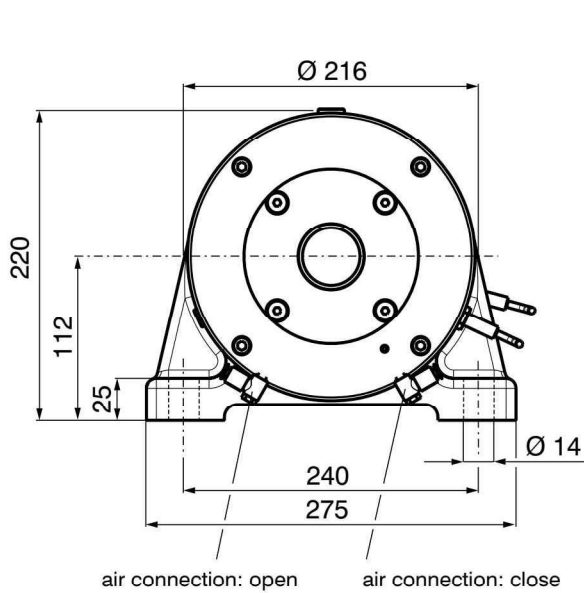
Boschert-Chuck P50



STW P50
chuck with shaft end



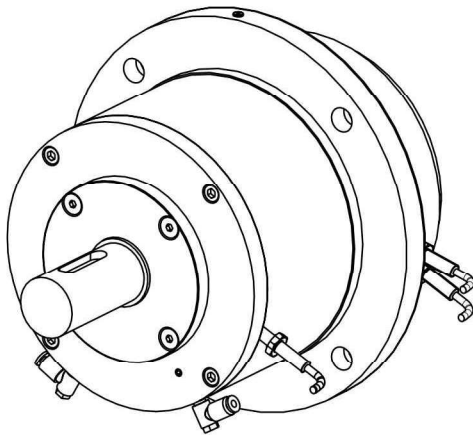
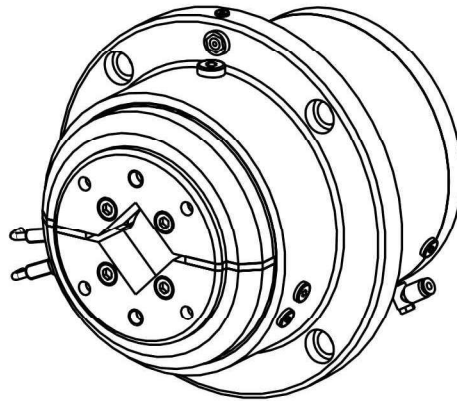
STO P50
chuck without shaft end



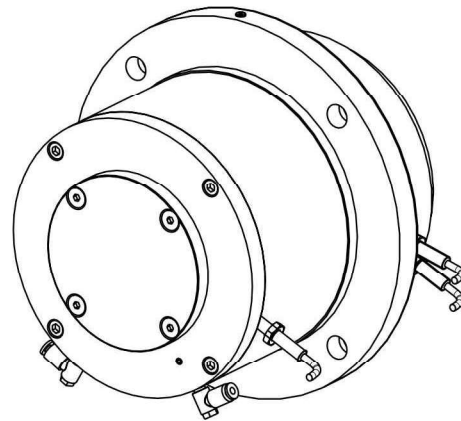
Shaft end details page 4.73

Boschert-Chuck P50 flange mounted

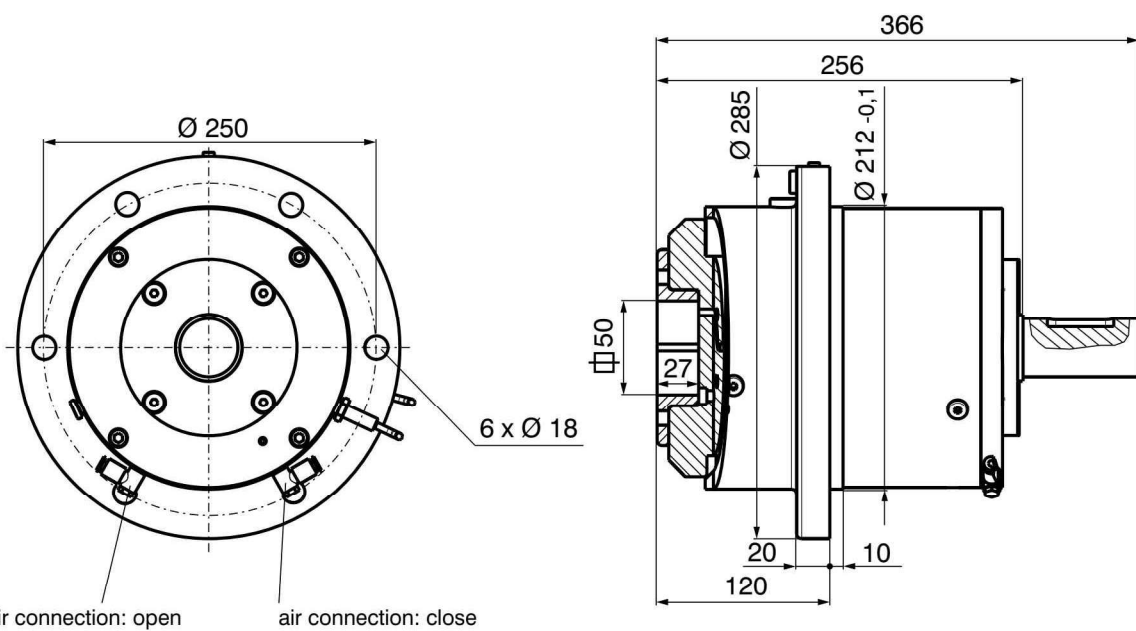
Boschert-Chuck P50



FLW P50
chuck with shaft end



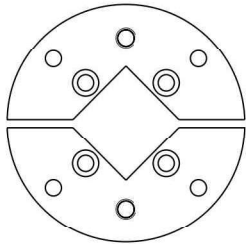
FLO P50
chuck without shaft end



Shaft end details page 4.73

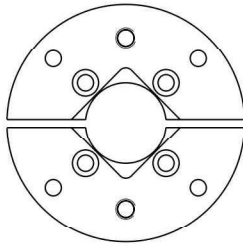
Boschert-Chuck P50 options

Journal shaft type



VT 2

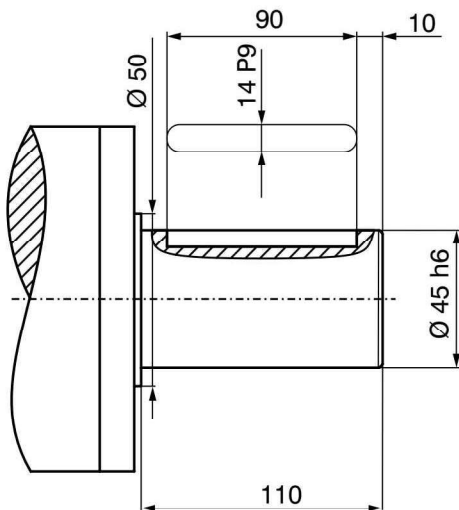
Info: 11.10



VT 7

Info: 11.12

Shaft end



Standard shaft end

Special shaft ends per customer request

Max. shaft-dia.: Ø 50 mm
(special shaft without stop)

Proximity sensor

