

4.60 Boschert-Chuck P40



- P40 STO** *Boschert* pneumatic chuck, foot mounted without shaft end
P40 STW *Boschert* pneumatic chuck, foot mounted with shaft end
P40 FLO *Boschert* pneumatic chuck, flange mounted without shaft end
P40 FLW *Boschert* pneumatic chuck, flange mounted with shaft end



Standard Square bar: □ 40 mm (1.5748")
max. Beam weight: □ 1600 kg (3530 lbs)
max. torque: ↻ 350 Nm (258.1 ft/lb)

Please note:

Max. beamweight and torque on P40 chucks are reduced when using VT2-inserts with a smaller square bar than □ 40 mm (□ 1.5" / 38.1 mm).

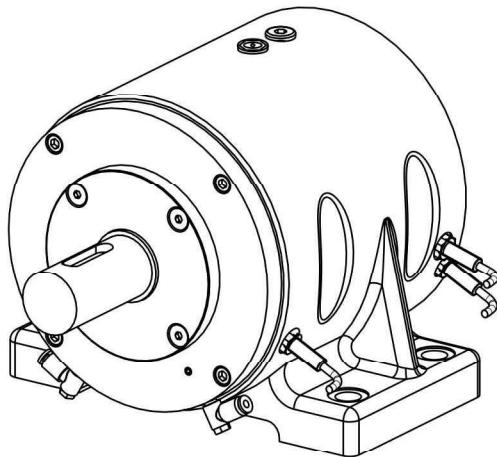
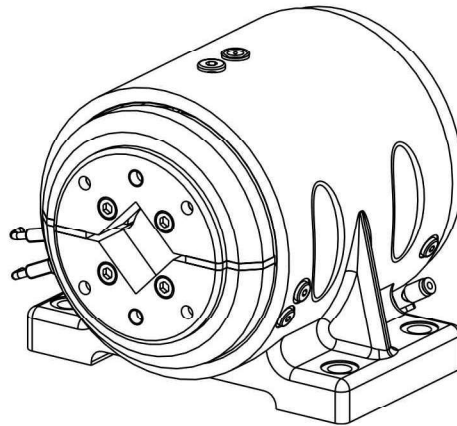
	max. Beam weight	max. torque
□ 30 mm (1,1811")	1200 kg (2650 lbs)	250 Nm (184.4 ft/lb)

		Info
Type:	VT	4.74
Journal shaft type VT:	VT2 / VT7	4.63
Shaft end:	standard	4.63
Options:	proximity sensor	4.63
Add. parts:	brakes	6.00
	clutches	7.00

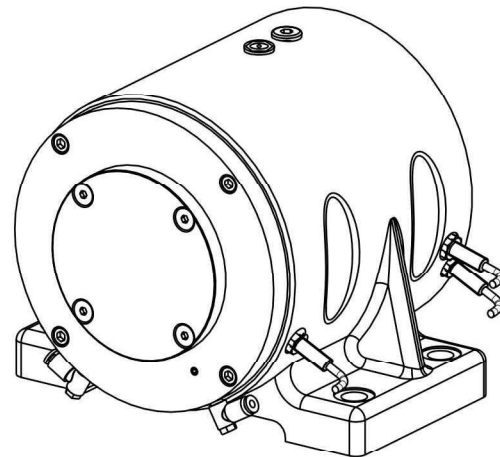
Boschert-Chuck P40 foot mounted



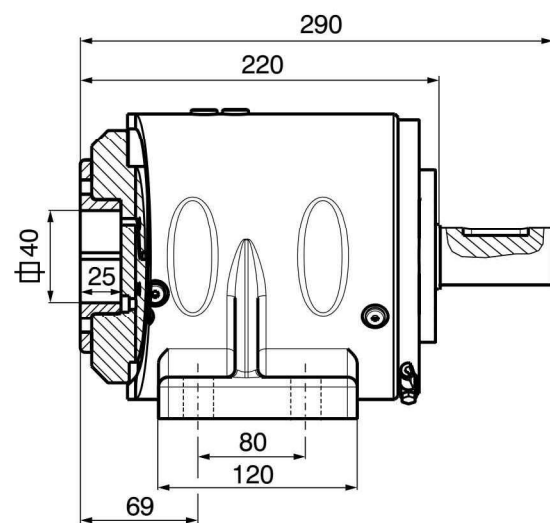
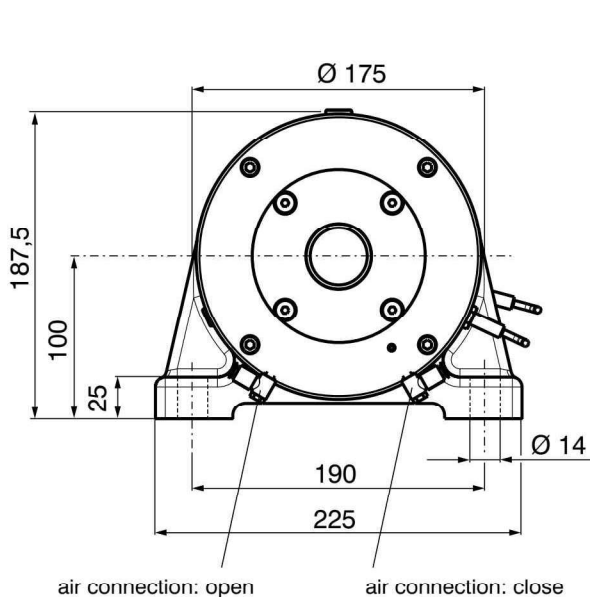
Boschert-Chuck P40



STW P40
chuck with shaft end



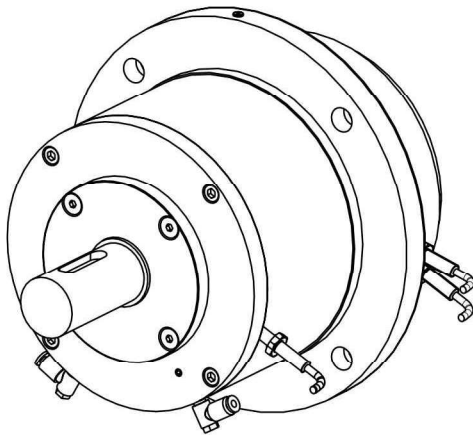
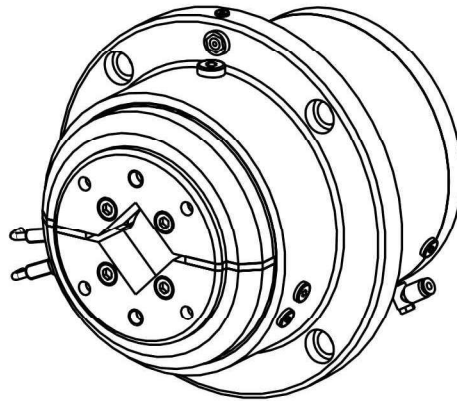
STO P40
chuck without shaft end



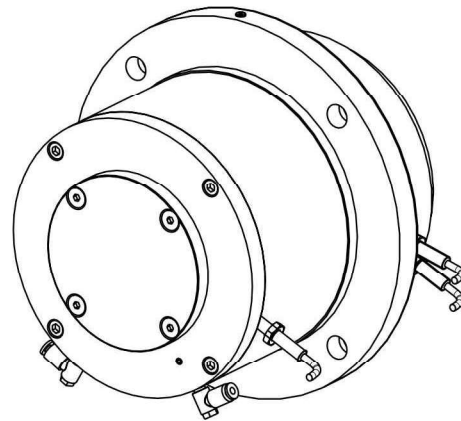
Shaft end details page 4.63

Boschert-Chuck P40 flange mounted

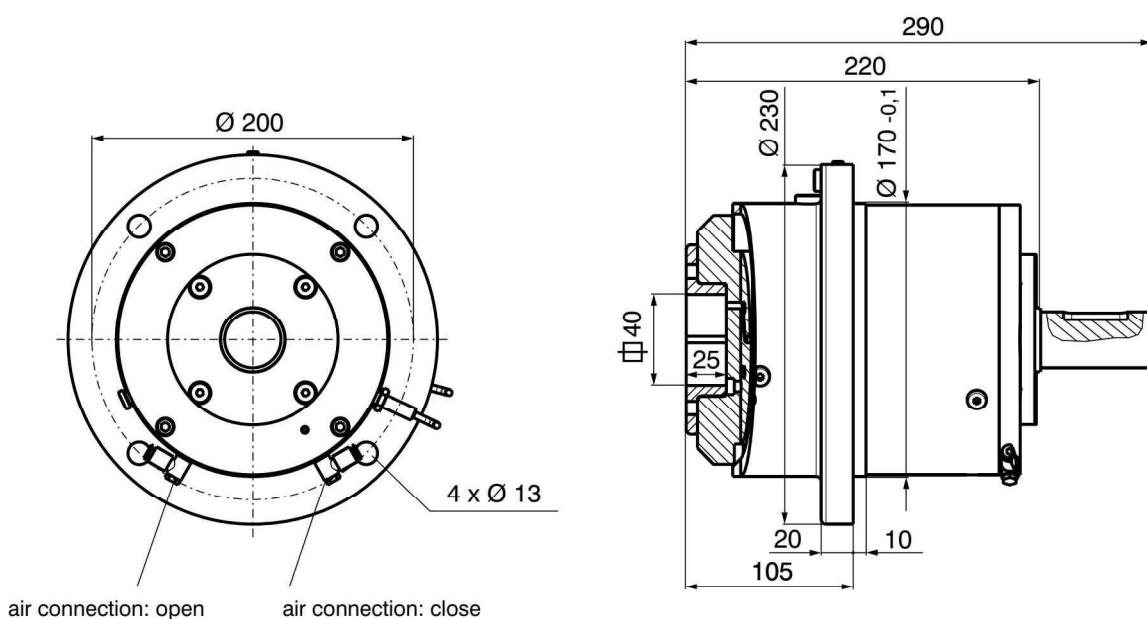
Boschert-Chuck P40



FLW P40
chuck with shaft end



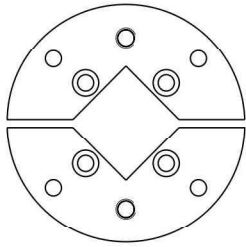
FLO P40
chuck without shaft end



Shaft end details page 4.63

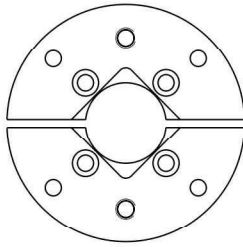
Boschert-Chuck P40 options

Journal shaft type



VT 2

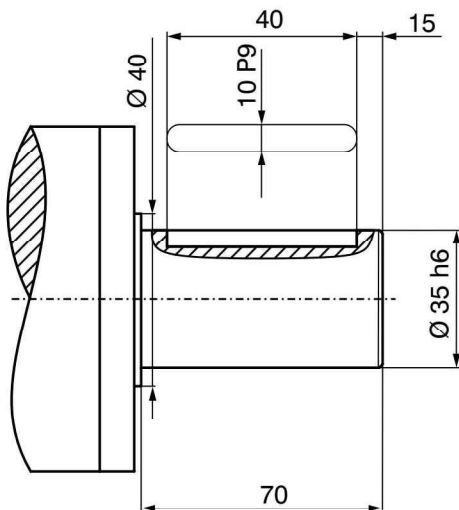
Info: 11.10



VT 7

Info: 11.12

Shaft end



Standard shaft end

Special shaft ends per customer request

Max. shaft-dia.: Ø 40 mm
(special shaft without stop)

Proximity sensor

