

4.40 Boschert-Chuck A80

A80 STO

Boschert automatic chuck, foot mounted without shaft end

A80 STW

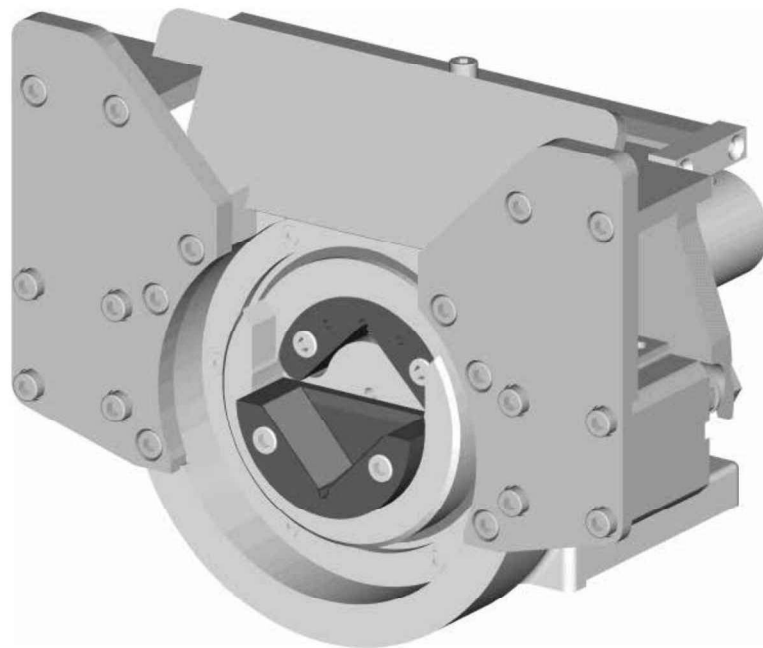
Boschert automatic chuck, foot mounted with shaft end


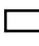

A80 FLO

Boschert automatic chuck, flange mounted without shaft end

A80 FLW

Boschert automatic chuck, flange mounted with shaft end



Standard Square bar:  80 mm (3.1496")
max. beam weight:  7000 kg (15430 lbs)
max. torque:  2350 Nm (1700 ft/lb)

Please note:

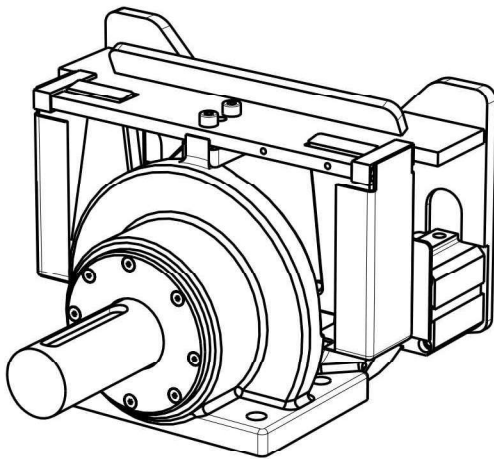
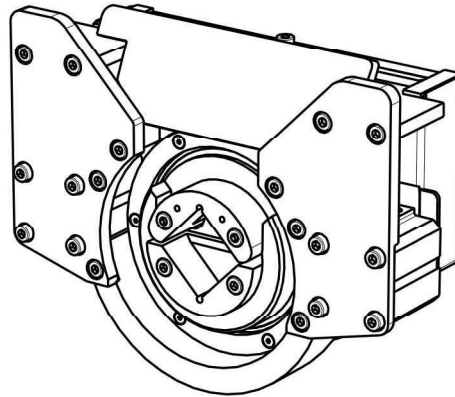
This chuck is a direct retrofit for the chuck 50-80 type VT.

		Info
Type:	VT	4.43
Journal shaft type VT:	VT2	4.43
Shaft end:	standard	4.43
Info:	opening	4.43
Options:	proximity sensor	4.44
Add. parts:	brakes	6.00
	clutches	7.00

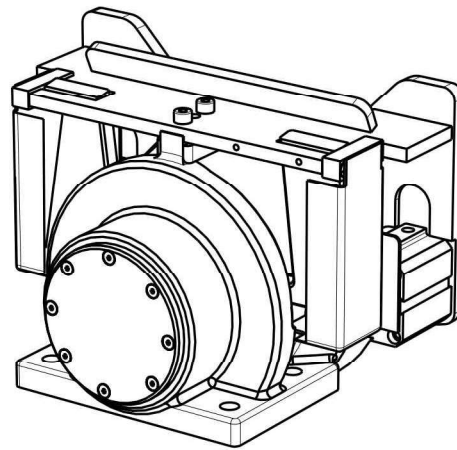
Boschert-Chuck A80 foot mounted



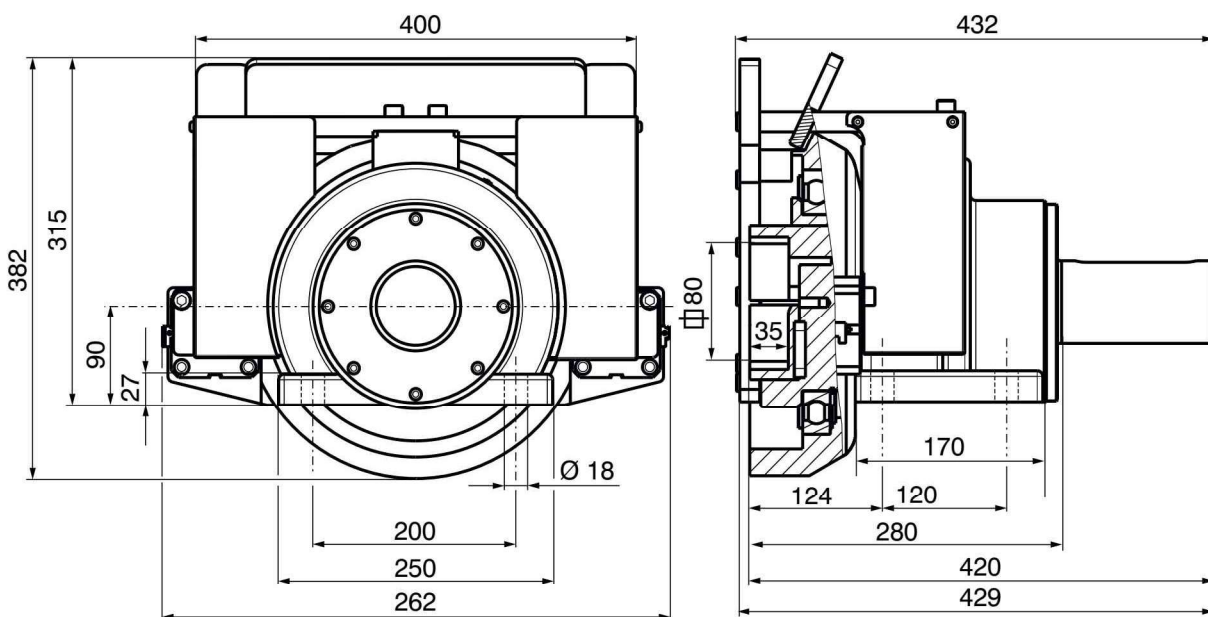
Boschert-Chuck A80



STW A80
chuck with shaft end



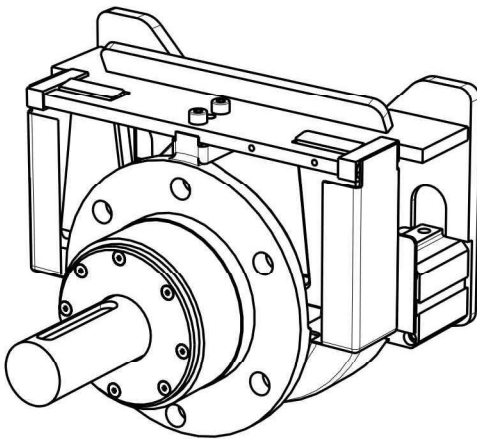
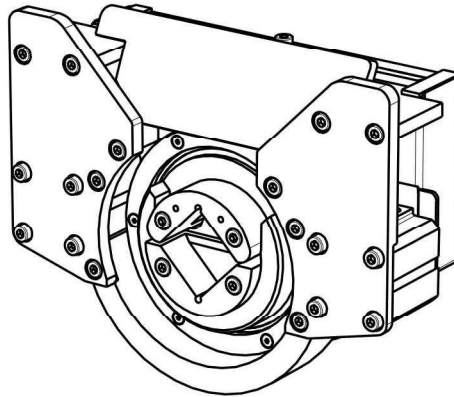
STO A80
chuck without shaft end



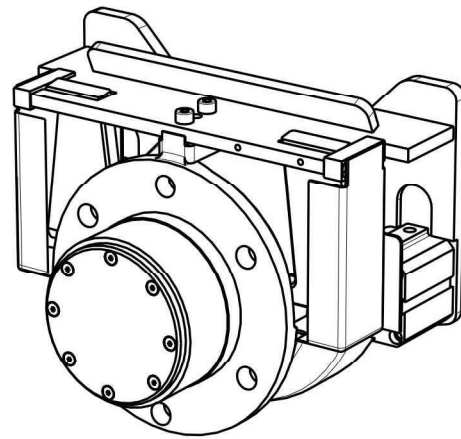
Shaft end details page 4.43

Boschert-Chuck A80 flange mounted

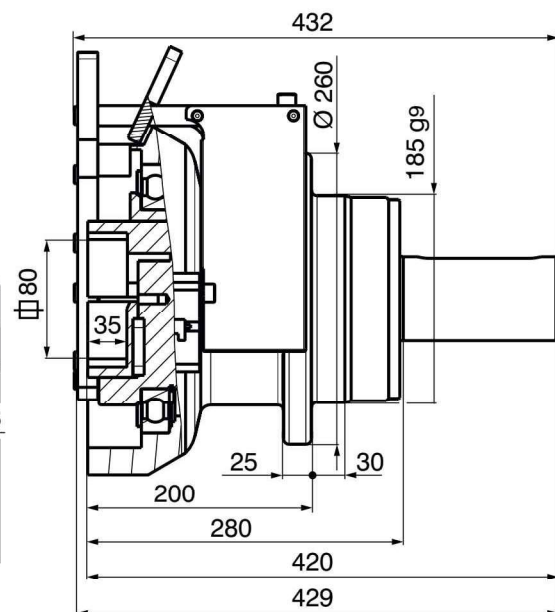
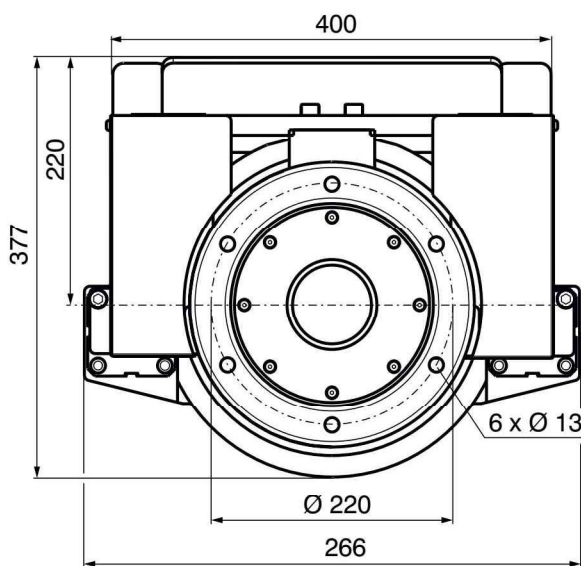
Boschert-Chuck A80



FLW A80
chuck with shaft end



FLO A80
chuck without shaft end

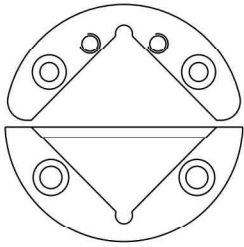


Shaft end details page 4.43

Boschert-Chuck A80 info



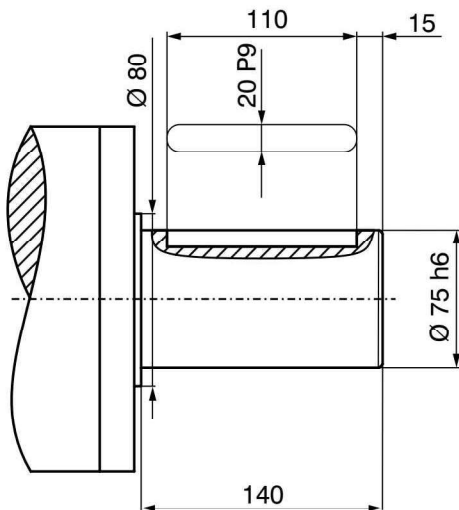
Journal shaft type



VT 2

Info: 11.10

Shaft end

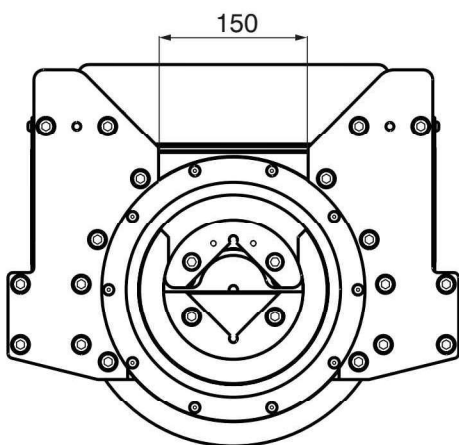


Standard shaft end

Special shaft ends per customer request

Max. shaft-dia.: Ø 80 mm
(special shaft without stop)

Opening



4.43

Mattenstrasse 1
D-79541 Loerrach-Hauingen

infokl@boschert.de
www.boschert.de

Tel.: +49 (0) 7621 / 9593 0
Fax: +49 (0) 7621 / 5518 4

Changes reserved (c)

Boschert-Chuck A80 options

Proximity sensor

