

4.20 Boschert-Chuck A40



A40 STO

Boschert automatic chuck, foot mounted without shaft end

A40 STW

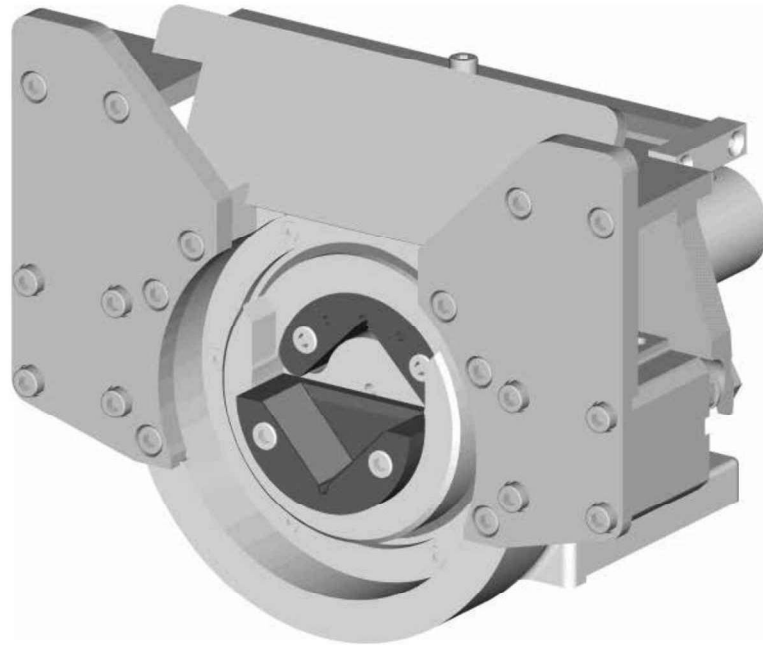
Boschert automatic chuck, foot mounted with shaft end

A40 FLO

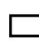
Boschert automatic chuck, flange mounted without shaft end

A40 FLW

Boschert automatic chuck, flange mounted with shaft end



Standard Square bar:  40 mm (1.5748")

max. beam weight:  1600 kg (3530 lbs)

max. torque:  350 Nm (258.1 ft/lb)

Please note:

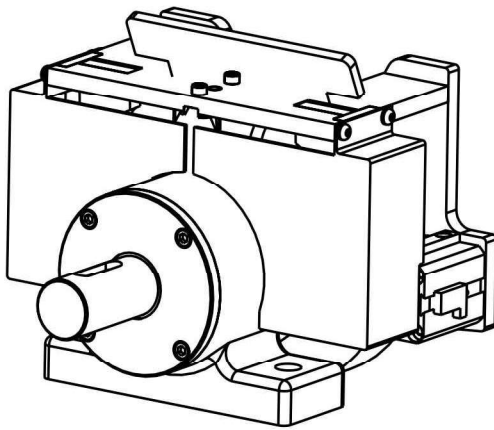
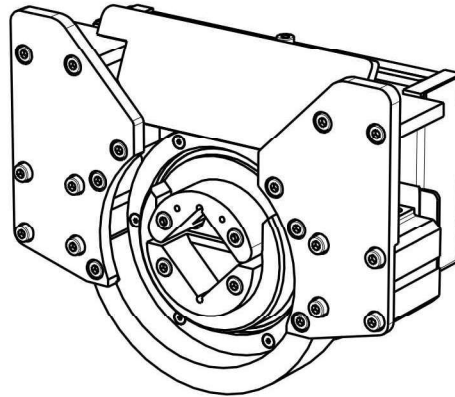
This chuck is a direct retrofit for the chuck 30-40 type C or 30-40 type VT.

		Info
Type:	VT	4.23
Journal shaft type VT:	VT2	4.23
Shaft end:	standard	4.23
Info:	opening	4.23
Options:	proximity sensor	4.24
Add. parts:	brakes	6.00
	clutches	7.00

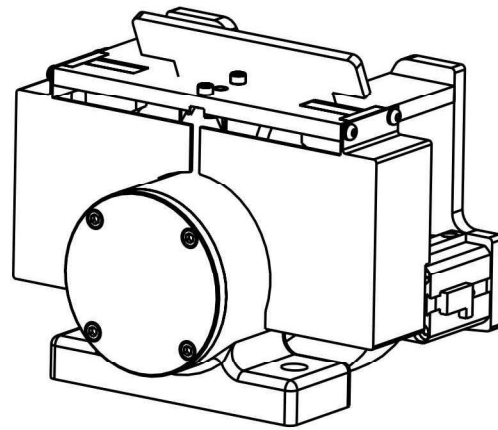
Boschert-Chuck A40 foot mounted



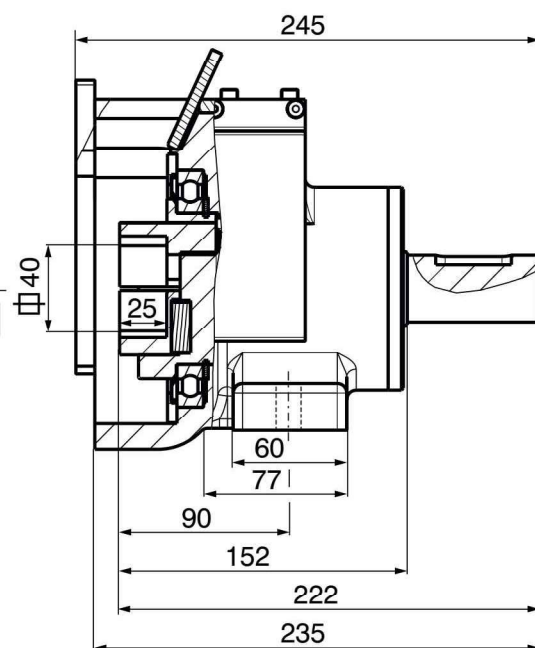
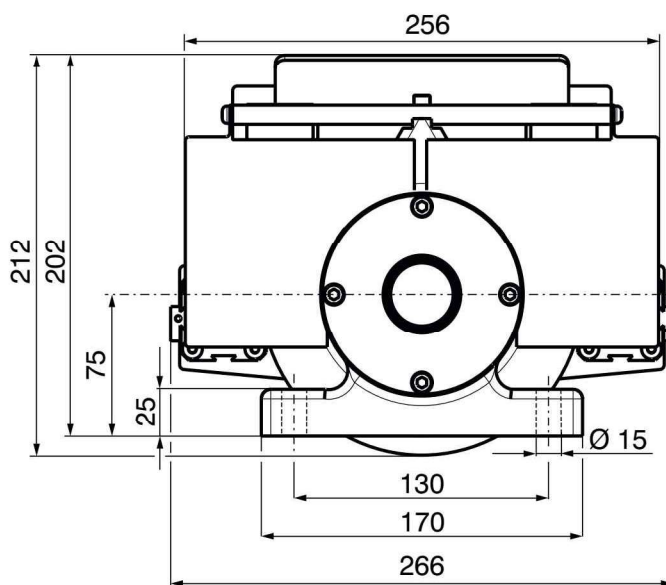
Boschert-Chuck A40



STW A40
chuck with shaft end



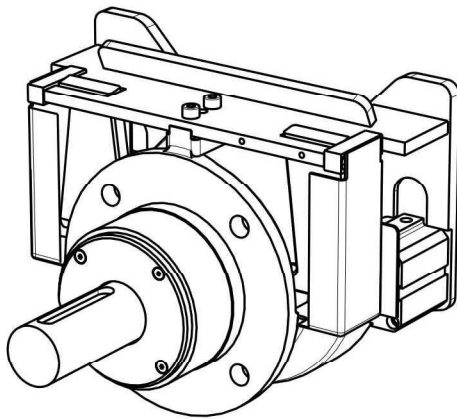
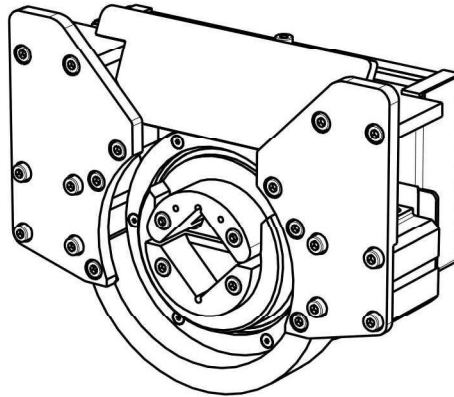
STO A40
chuck without shaft end



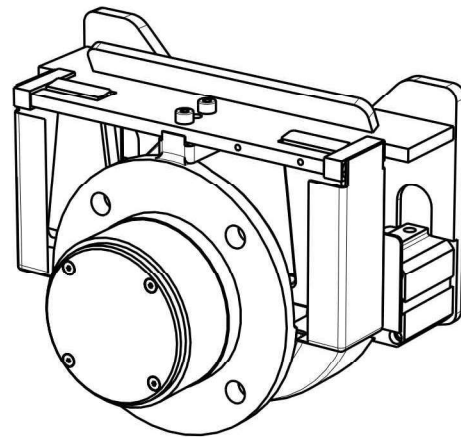
Shaft end details page 4.23

Boschert-Chuck A40 flange mounted

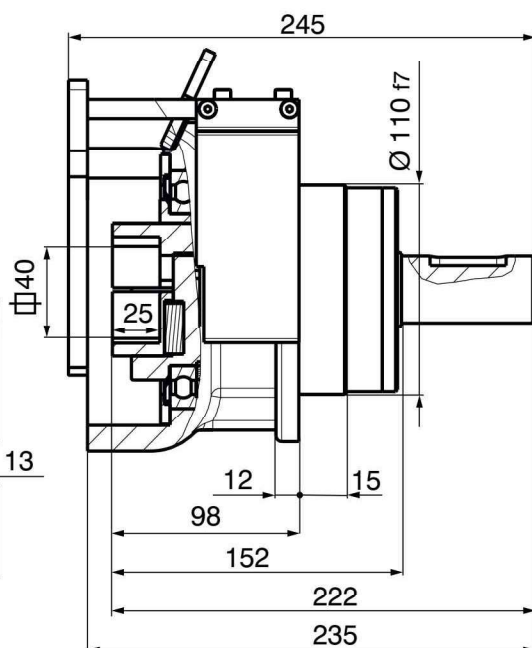
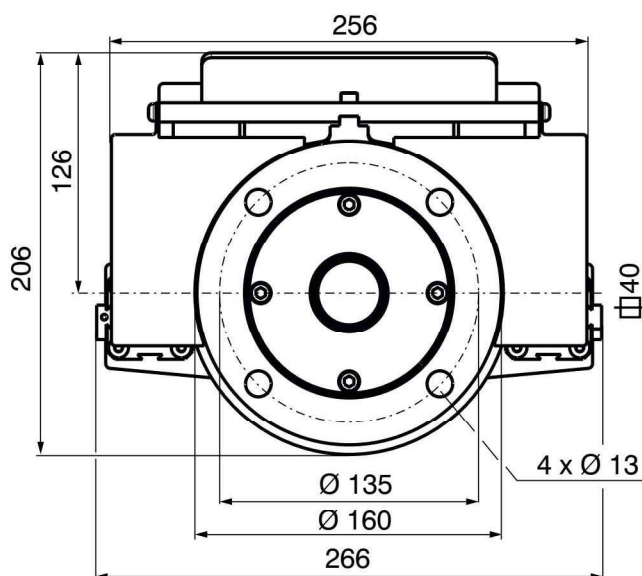
Boschert-Chuck A40



FLW A40
chuck with shaft end



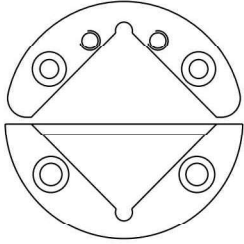
FLO A40
chuck without shaft end



Shaft end details page 4.23

Boschert-Chuck A40 info

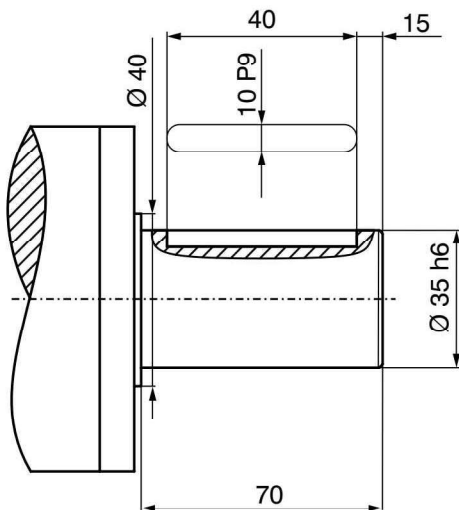
Journal shaft type



VT 2

Info: 11.10

Shaft end

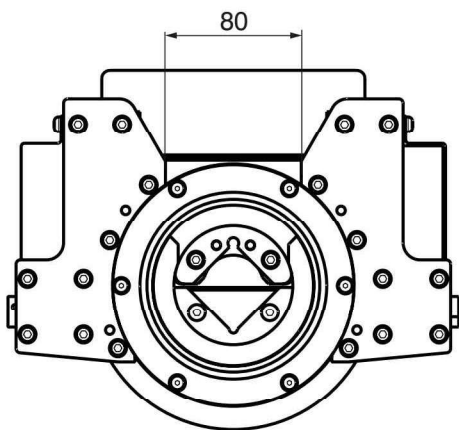


Standard shaft end

Special shaft ends per customer request

Max. shaft-dia.: Ø 40 mm
(special shaft without stop)

Opening



Boschert-Chuck A40 options

Proximity sensor

